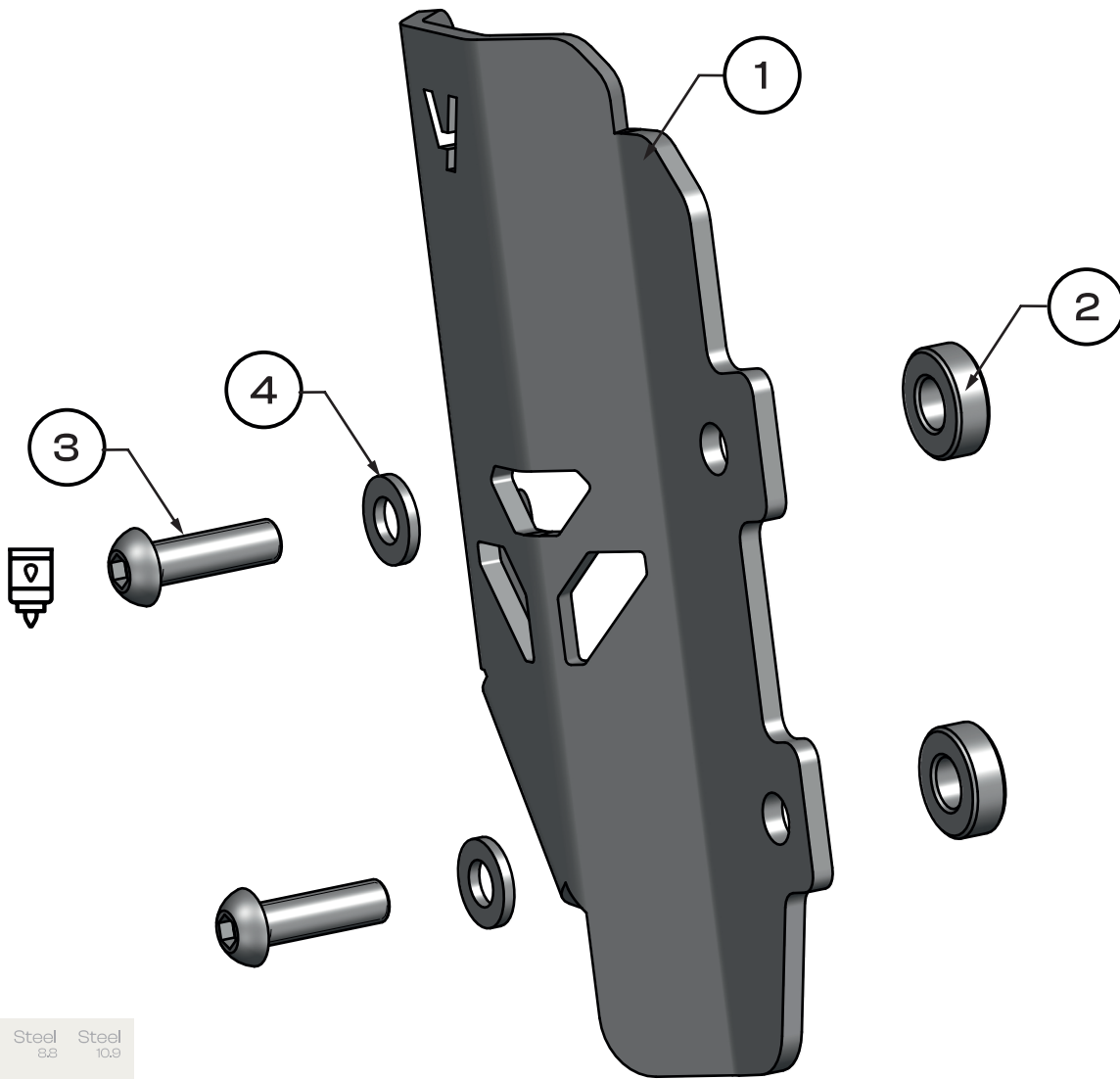


Kove 800 X

ID:380864



1 Pump cover



1x

2 Sleeve



D15xd7xH5 2x

3 Bolt



2x
M6x20-DIN 7380

4 Washer



2x
M6-DIN 125

 **Fig.1**

Read before installation.

All bolts have to be finally tighten after installation all parts on vehicle.

	Steel 8.8	Steel 10.9
M4	2,7	4
M5	5,5	8
M6	9,7	13,7
M8	23	33
M10	47	66
M12	80	116
M14	130	184
M16	196	287
M18	270	395
M20	385	560

-  one person
-  use a medium-strength
-  tighten with torque
- OEM** Original Equipment Manufacturer



Read before installation.

All bolts have to be finally tighten after installation all parts on vehicle.

Remove the original bolts using the appropriate wrenches from the tool set. **[Fig.2]** Install the pump cover **[1]** using bolts **[3]** M6x20-DIN7380 and washer **[4]** M6 DIN125 mounting it to the designated pump points through sleeve **[2]**. Use medium-strength threadlocker on bolts to prevent loosening due to vibration. **[Fig.2], [Fig.3] [Fig.4],**

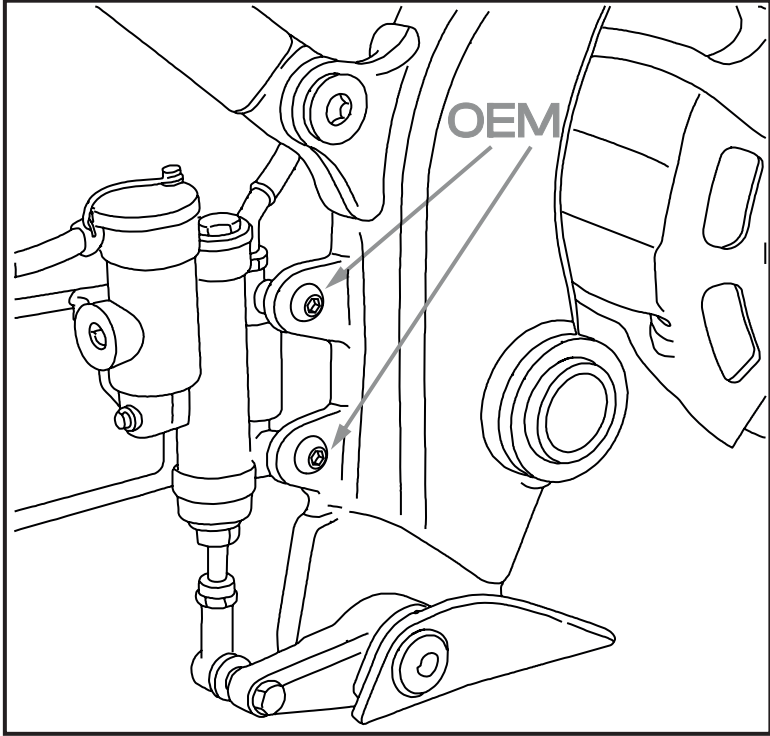


 Fig.2

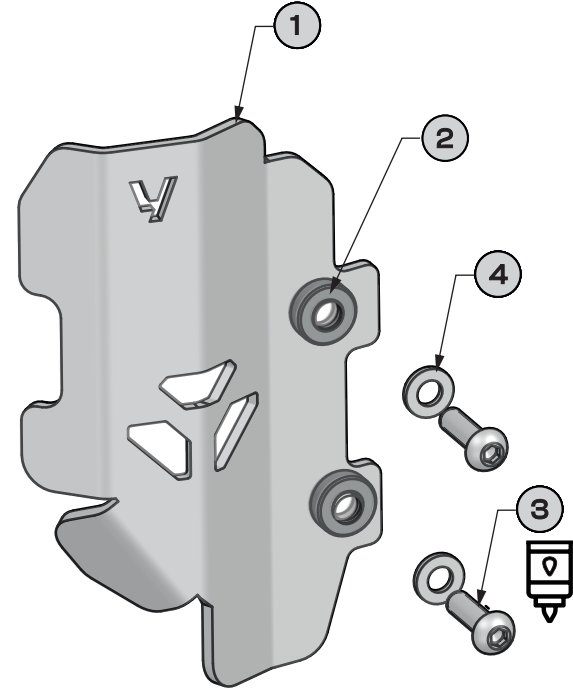


 Fig.3

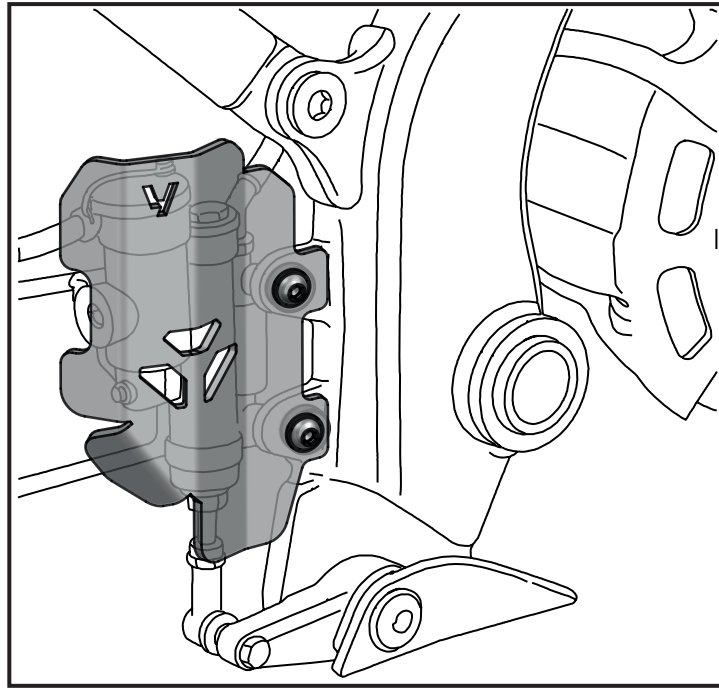


 Fig.4

