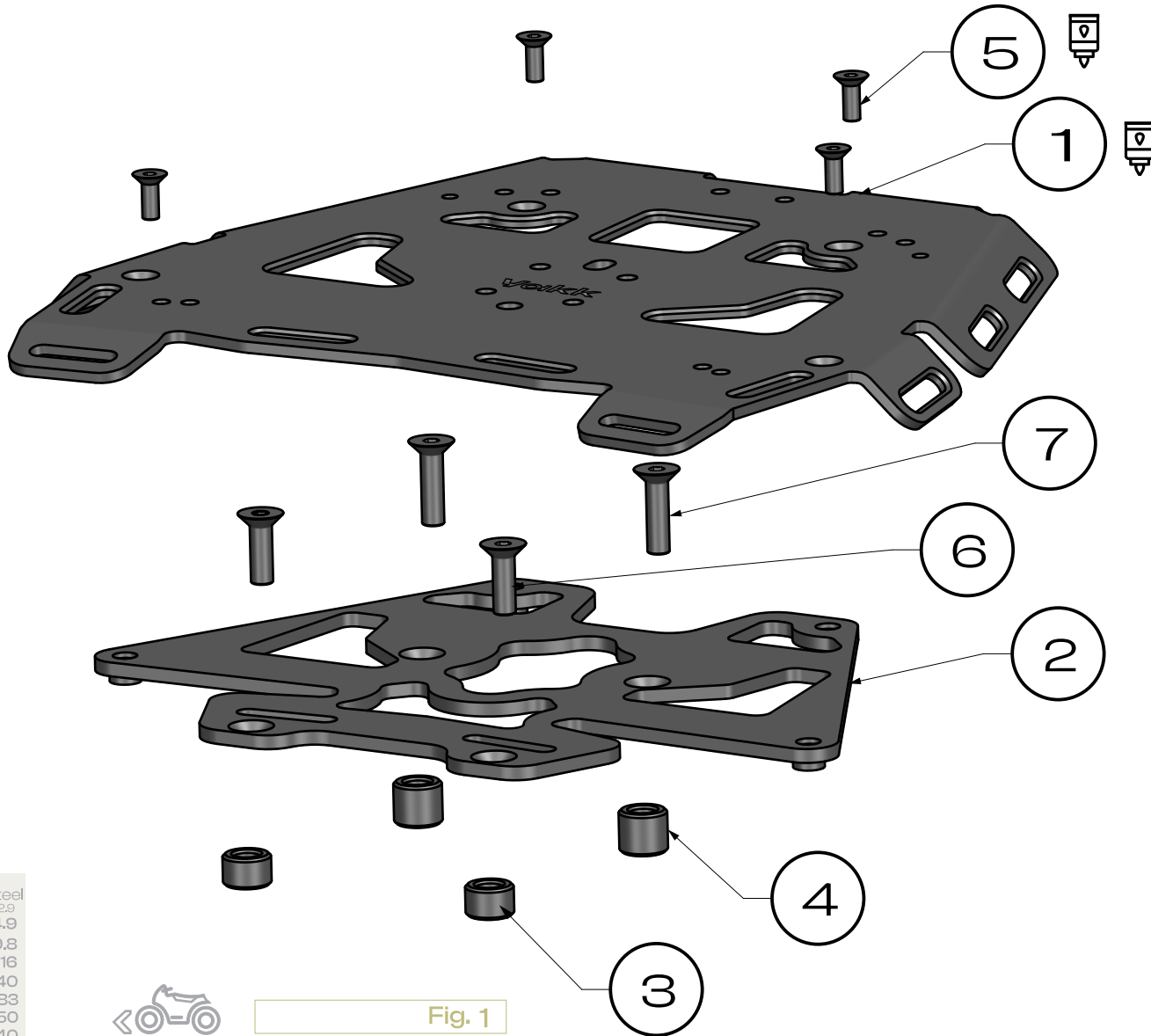


Read before installation.
All bolts have to be finally tighten after installation all parts on vehicle.

Top case rack Kove 800X

ID:3059967



- 1** Top case plate 1x
- 2** Mounting plate 1x
- 3** Space sleeve D17xd9xH11 2x
- 4** Space sleeve D17xd9xH15 2x
- 5** Bolt M6x16 - DIN 7991 4x
- 6** Bolt M8x25 - DIN 7991 2x
- 7** Bolt M8x30 - DIN 7991 2x

	Steel 8.8	Steel 10.9	Steel 12.9
M4	2,7	4	4,9
M5	5,5	8	9,3
M6	9,7	13,7	16
M8	23	33	40
M10	47	66	83
M12	80	116	150
M14	130	184	240
M16	196	287	350
M18	270	395	490
M20	385	560	690

one person use a medium-strength tighten with torque **OEM** Original Equipment Manufacturer



!!! Initially, attach the screws loosely.

After assembling everything together, tighten them with the appropriate force.

1. Insert spacer sleeves **[4]**, **[3]** into the holes. Pay attention to the height and alignment of the spacer sleeves. **[Fig. 2]**
2. Fasten the mounting plate **[2]** with screws **[7]** at the rear and **[6]** at the front. Apply a medium-strength threadlocker. **[Fig. 2]**
3. Fasten Top case plate **[1]** to mounting plate **[2]** using screws **[5]**. Apply a medium-strength threadlocker. **[Fig. 3]**

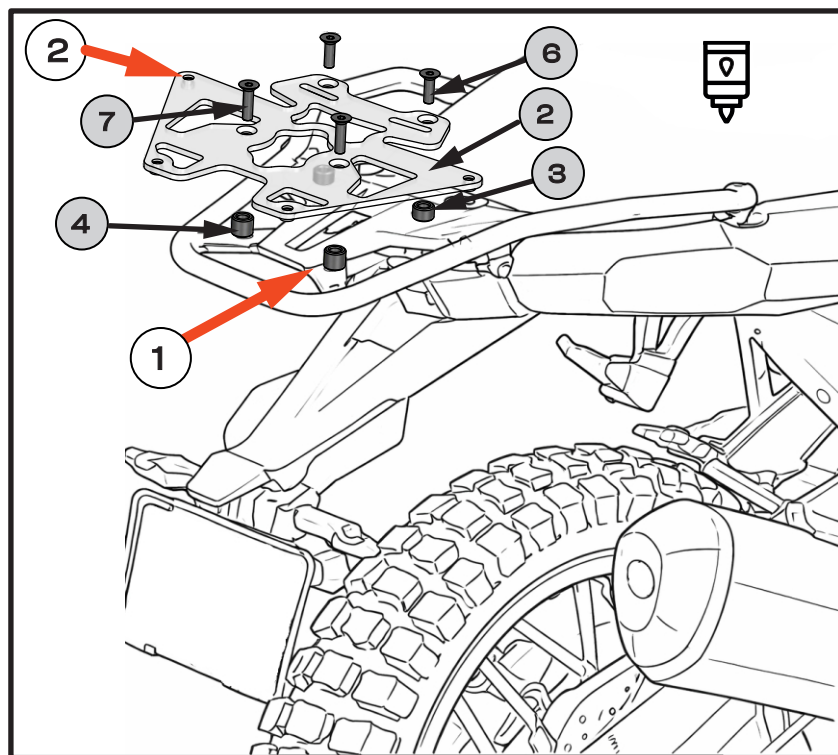
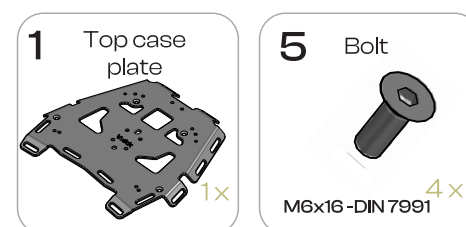


Fig. 2

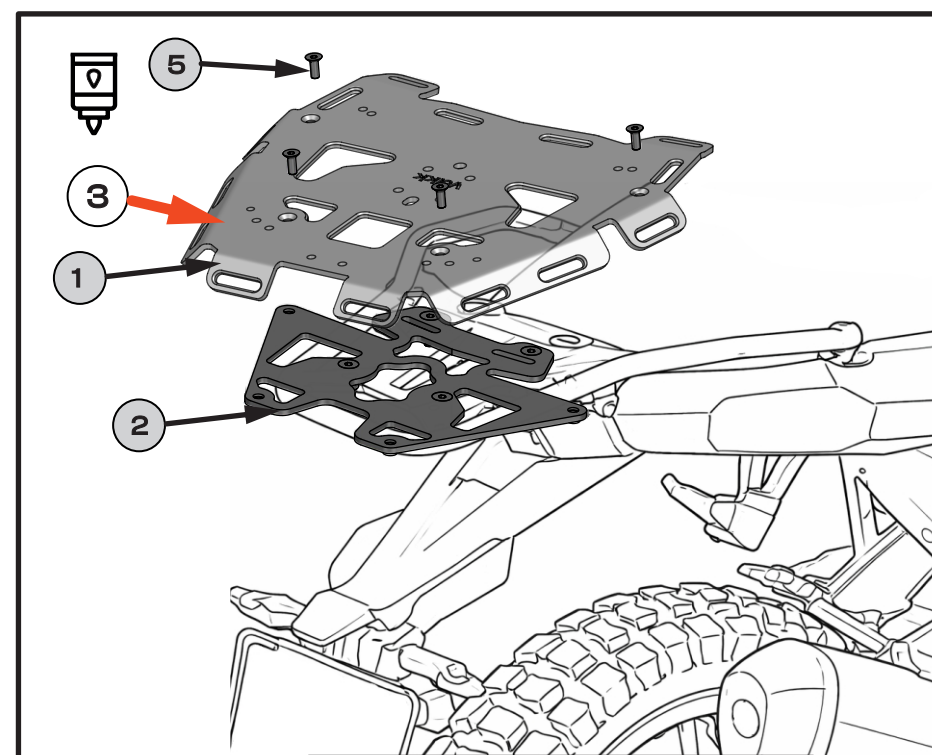


Fig. 3

