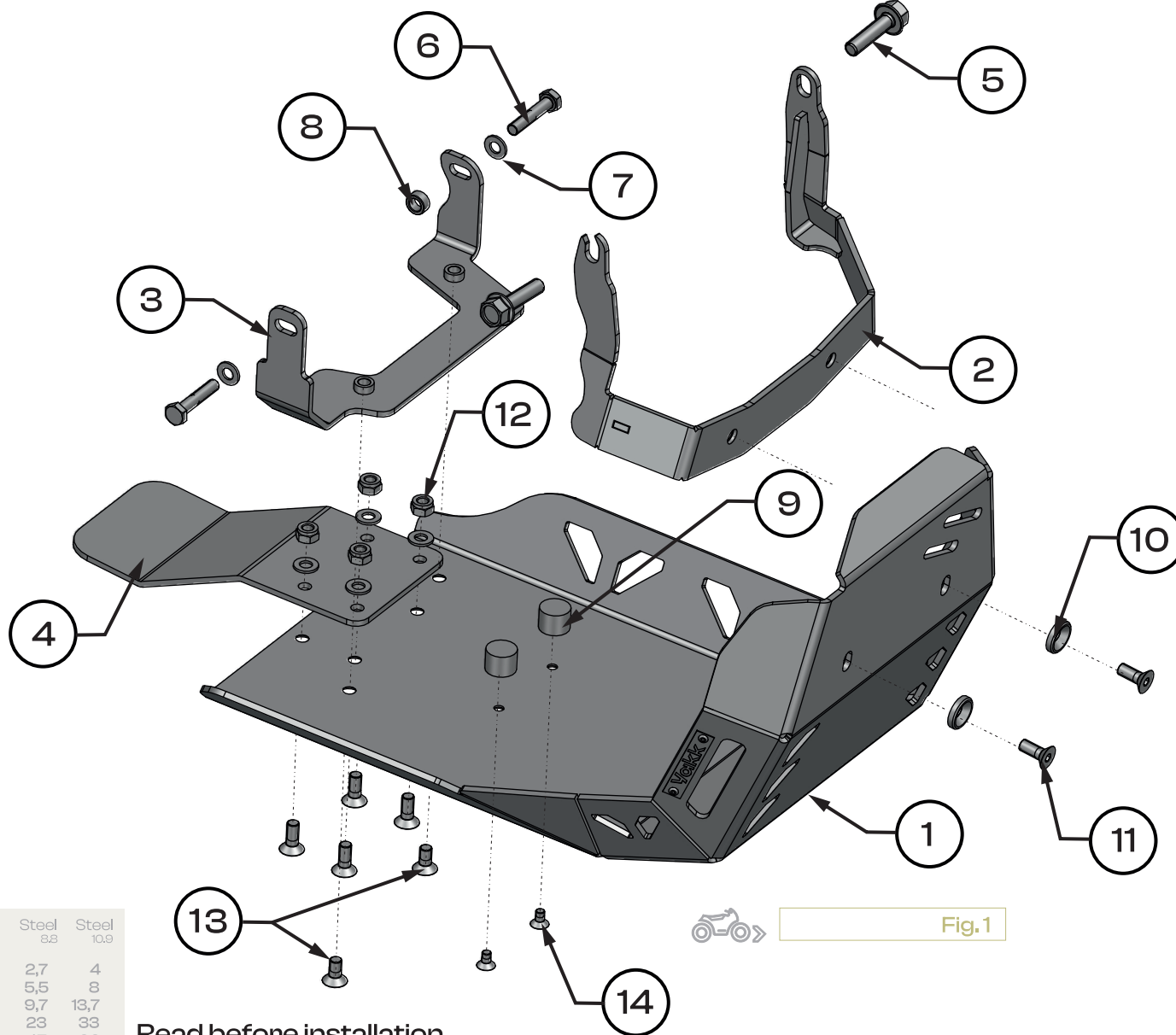


Kove 800 X

ID:3059969



- | | | |
|---|---|---|
| 1 Engine guard

1x | 2 Front bracket

1x | 3 Rear bracket

1x |
| 4 Cover

1x | 5 Bolt

M10x40 -DIN 6921 2x | 6 Bolt

M8x40 -DIN 931 2x |
| 7 Washer

M8-DIN 125 6x | 8 Sleeve

d9xD14xH7 2x | 9 Vibro mount

2x |
| 10 Washer

M8 -DIN 9081 2x | 11 Bolt

M8x20 -DIN 7991 6x | 12 Nut

M8-DIN 985 4x |
| 13 Bolt

M8x16 -DIN 7991 2x | 14 Bolt

M6x8 -DIN 7991 2x | |

	Steel 8.8	Steel 10.9
M4	2,7	4
M5	5,5	8
M6	9,7	13,7
M8	23	33
M10	47	66
M12	80	116
M14	130	184
M16	196	287
M18	270	395
M20	385	560

Read before installation.

Before installing the Yakk exp Skid plate remove the original engine cover.

All bolts have to be finally tighten after installation all parts on vehicle.

 one person
  use a medium-strength
  tighten with torque
 OEM Original Equipment Manufacturer



Read before installation.

All bolts have to be finally tighten after install

Attach the cover **[4]** to the engine guard **[1]** using bolts **[11]** M8x20 - DIN 7991, securing them with nuts **[12]** (M8 - DIN 985) through washers **[7]** **[Fig.1]**, **[Fig.2]** .

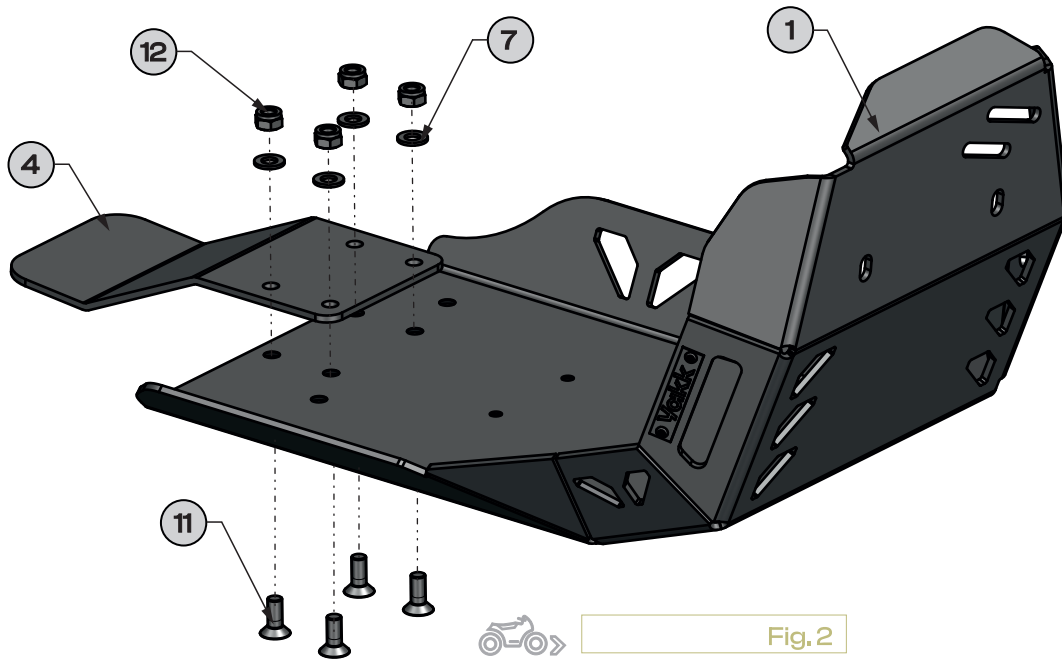


Fig.2

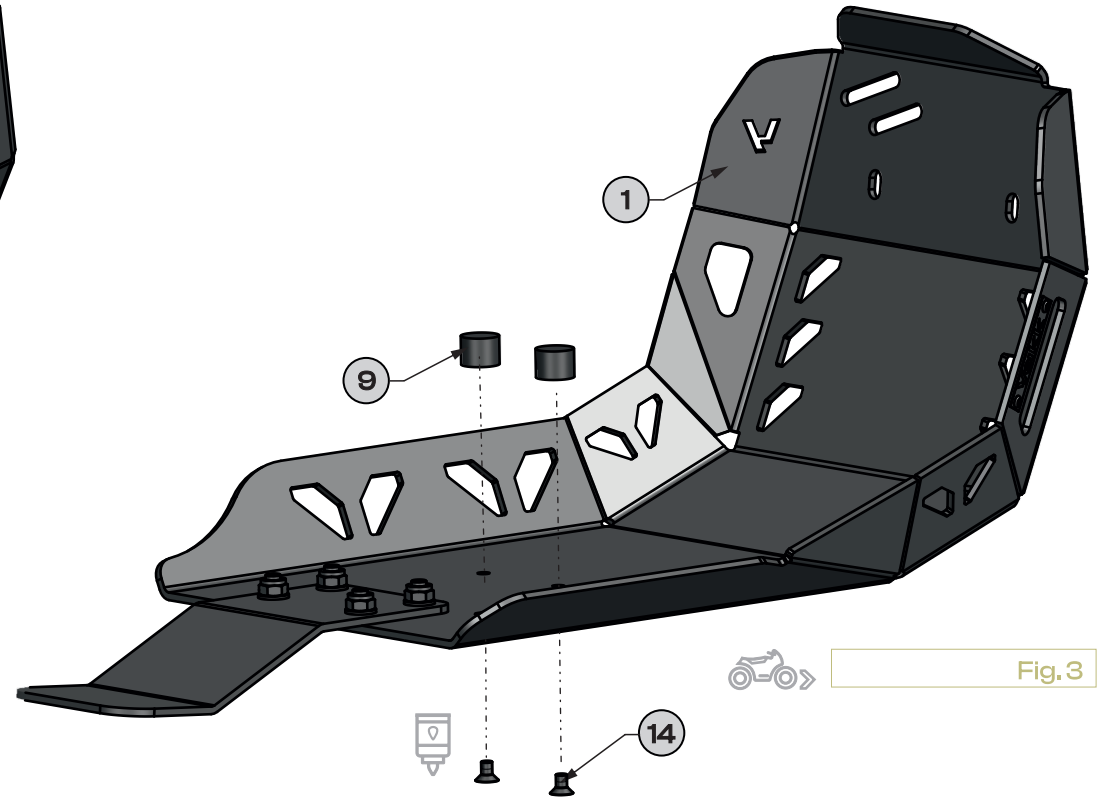


Fig.3

Attach the vibration isolators **[9]** to the engine guard **[1]** using bolts **[14]** M6x8 - DIN 7991. **[Fig.1]**, **[Fig.3]**

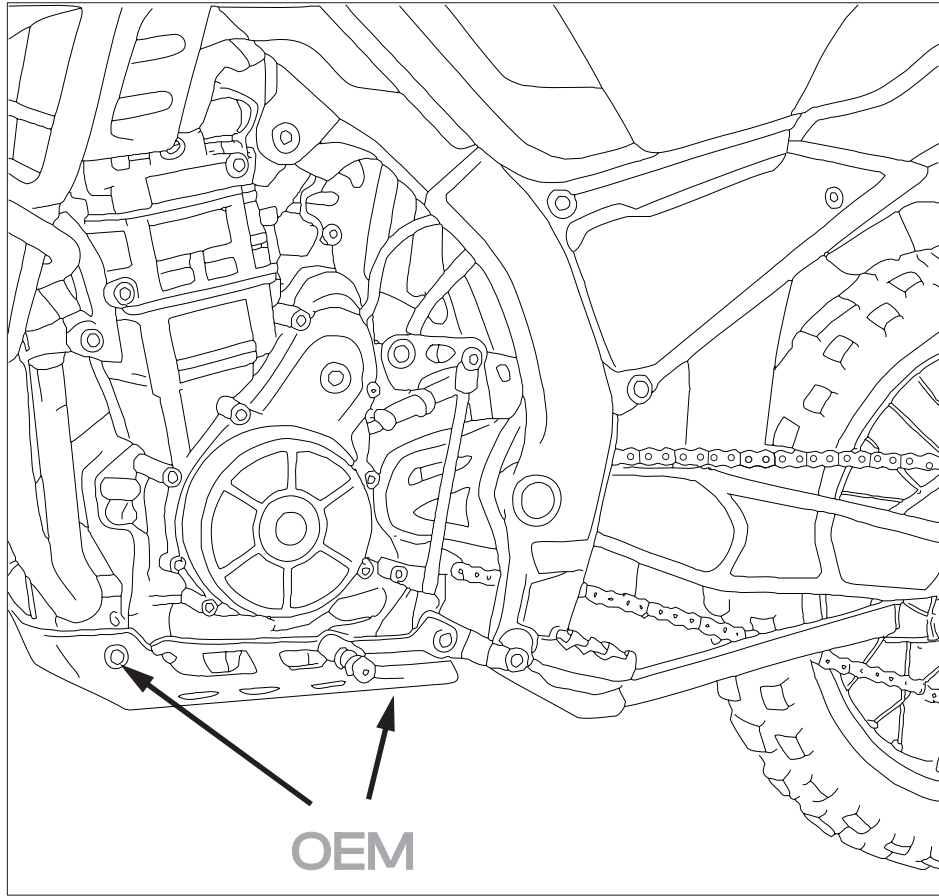


Read before installation.

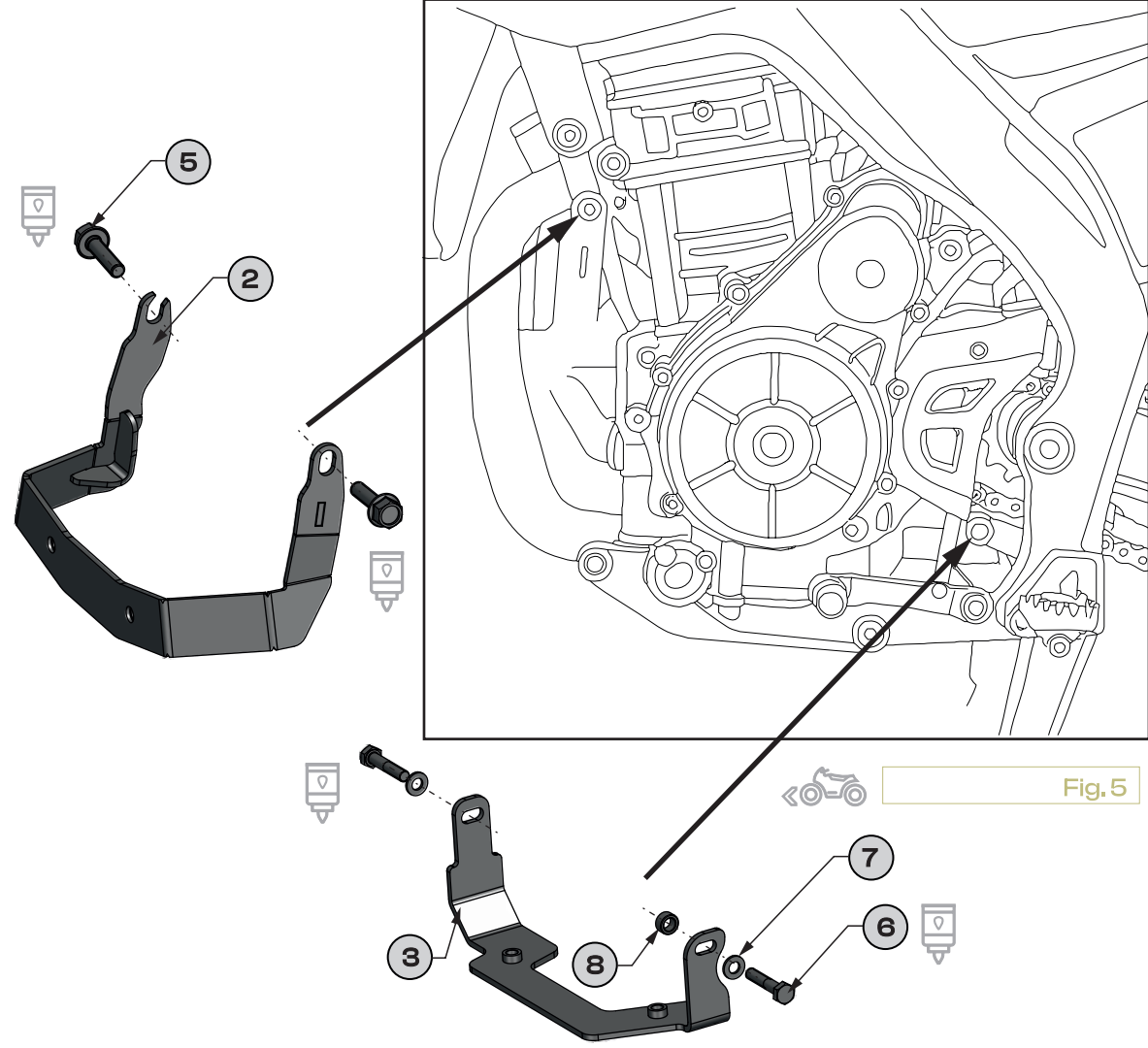
All bolts have to be finally tighten after installation all parts on vehicle.

Remove the original skid plate by unscrewing the factory-installed screws. **[Fig.4]**

Attach part **[2]** - Front bracket using bolt **[5]** M10x40 - DIN 6921, and mount part **[3]** - Rear bracket using bolts **[6]** M8x40 - DIN 931 through washer **[7]** and spacer sleeve **[8]** at the location indicated by the arrow. Use medium-strength threadlocker. **[Fig.1], [Fig.5]**



 **Fig.4**



 one person  use a medium-strength  tighten with torque **OEM** Original Equipment Manufacturer



Read before installation.

All bolts have to be finally tighten after installation all parts on vehicle.

follow  yakkexp join #yakkherd

Attach part **[1]** -Engine guard to part **[2]** -Front bracket using bolts **[11]** M8x20 - DIN 7991 through washers **[10]**, and to part **[3]** -Rear bracket using bolts **[13]** M8x16 - DIN 7991. Use medium-strength threadlocker. **[Fig. 1], [Fig. 6]**

Align the skid plate properly (position it accurately) and tighten all bolts to the specified torque

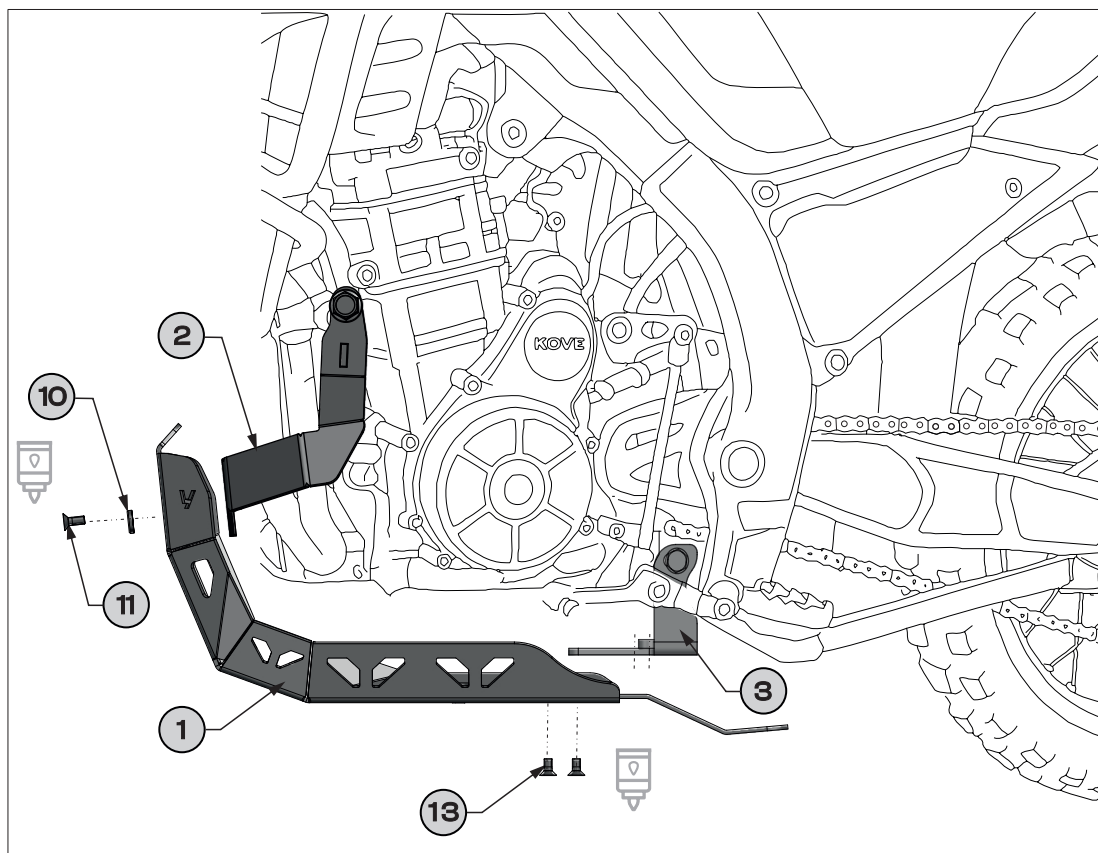


Fig. 6

 one person  use a medium-strength  tighten with torque

OEM Original Equipment Manufacturer

Yoikk EXP

[assembly instructions](#)

yakkexp.com



**EXPLORE
POSSIBILITIES**