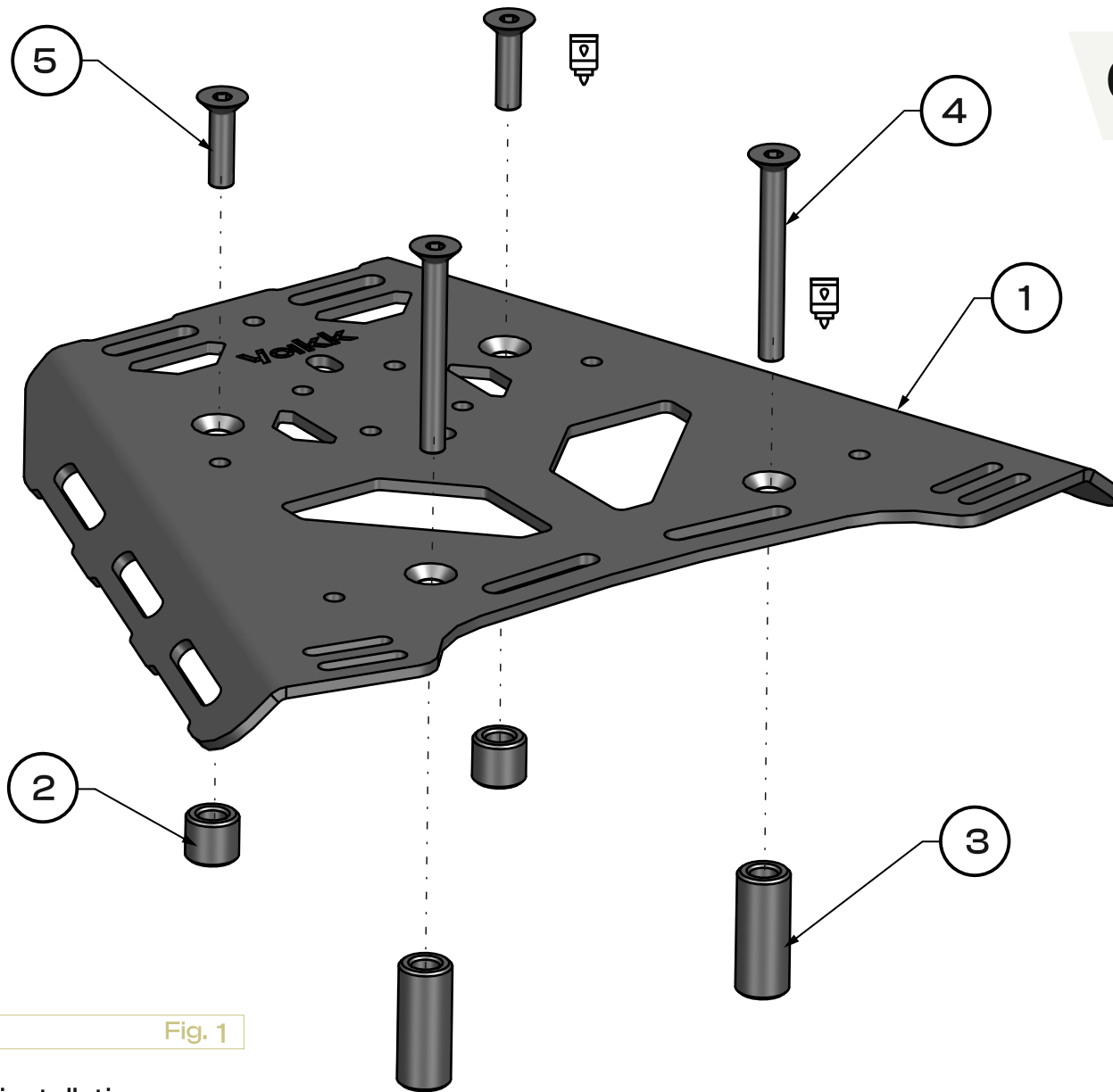


# CF Moto 450 MT 25

ID:3081646



**1** Rack plate



1

**2** Spacer sleeve



2x  
D17xd9xH15

**3** Spacer sleeve



2x  
D17xd9xH41


Bolt	Steel		
	8.8	10.9	12.9
M4	2,7	4	4,9
M5	5,5	8	9,8
M6	9,7	13,7	16
M8	23	33	40
M10	47	66	83
M12	80	116	150
M14	130	184	240
M16	196	287	350
M18	270	395	490
M20	385	560	690

**4** Bolt



2x  
M8x70-DIN 7991

**5** Bolt



2x  
M8x30-DIN 7991

Fig. 1

Read before installation.

All bolts have to be finally tighten after installation all parts on vehicle.

 one person 
  use a medium-strength 
  tighten with torque 
 OEM Original Equipment Manufacturer



**!!! Initially, attach the screws loosely.**

**After assembling everything together, tighten them with the appropriate force.**

1. Unscrew the screws and remove the OEM rack. **[Fig. 1]**
  2. Install the spacer sleeves **[2]. [Fig. 2]**
  3. Install the spacer sleeves **[3]. [Fig. 2]**
  4. Install the plate and tighten the bolts **[4]. Use medium-strength threadlocker. [Fig. 4]**
  5. Install the plate and tighten the bolts **[5]. Use medium-strength threadlocker. [Fig. 4]**
- Align the plate with the motorcycle axis and tighten all bolts to the specified torque.

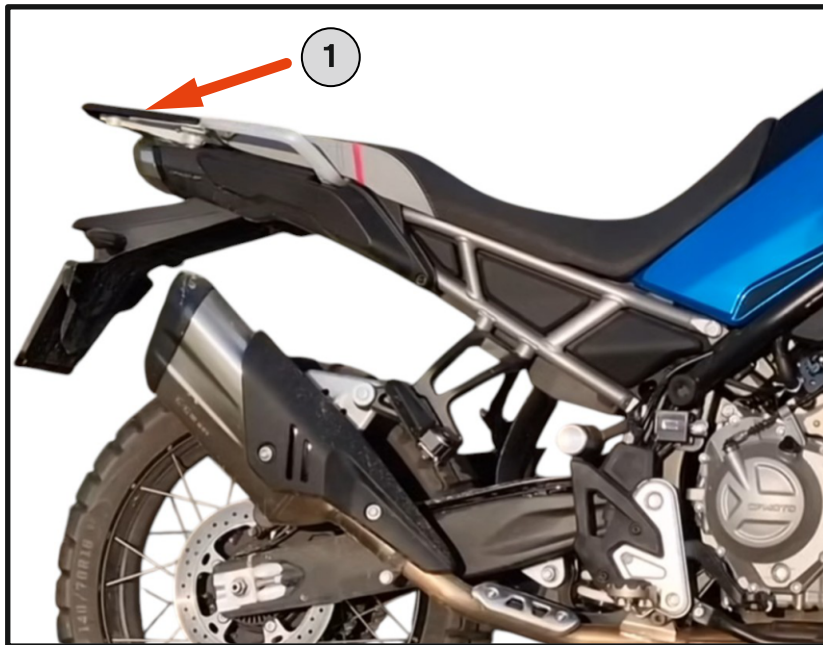
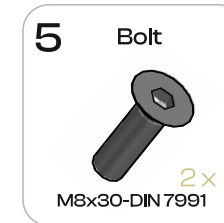


Fig. 2

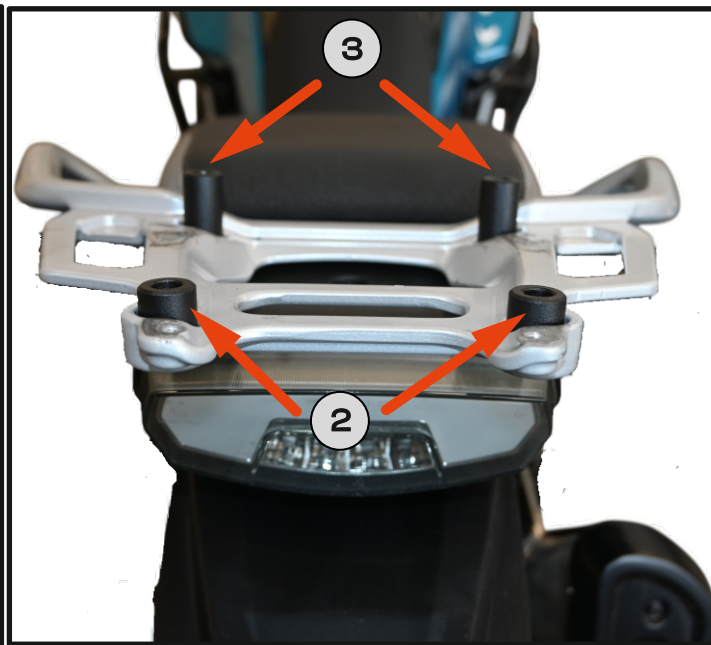


Fig. 3

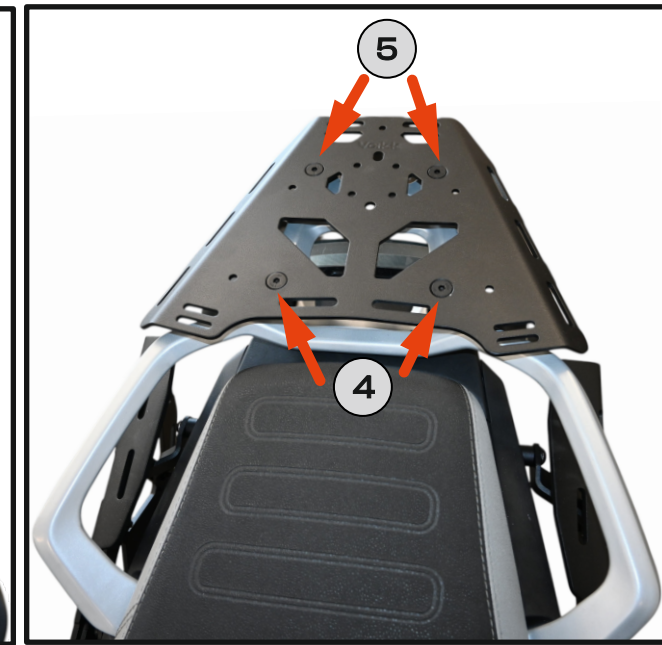


Fig. 4

