

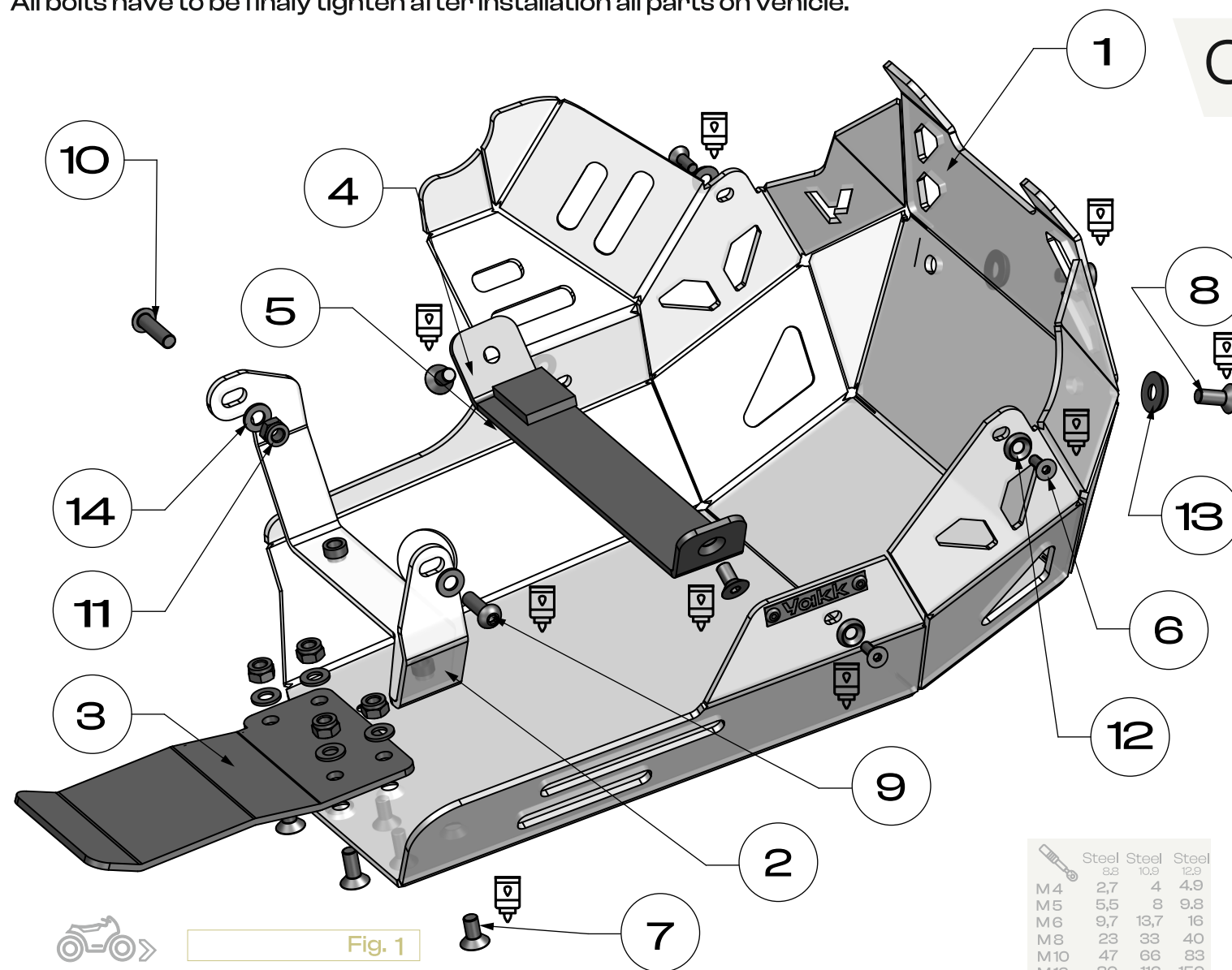
Read before installation.

All bolts have to be finally tighten after installation all parts on vehicle.

Skid plate

CF Moto 450 MT 25

ID:3083923



- | | | |
|--|---------------------------------------|---------------------------------------|
| 1 Skid plate
1x | 2 Bracket
1x | 3 Linkage guard
1x |
| 4 Skid plate brace
1x | 5 Rubber buffer
1x | 6 Bolt
4x
M6x16-DIN 7991 |
| 7 Bolt
4x
M8x16-DIN 7991 | 8 Bolt
6x
M8x20-DIN 7991 | 9 Bolt
1x
M8x25-DIN 7380 |
| 10 Bolt
1x
M8x30-DIN 7380 | 11 Nut
5x
M8-DIN 985 | 12 Washer
4x
M6-DIN 9081 |
| | 13 Washer
2x
M8-DIN 9081 | 14 Washer
7x
M8-DIN 125 |

	Steel	Steel	Steel
	8,8	10,9	12,9
M4	2,7	4	4,9
M5	5,5	8	9,8
M6	9,7	13,7	16
M8	23	33	40
M10	47	66	83
M12	80	116	150
M14	130	184	240
M16	196	287	350
M18	270	395	490
M20	385	560	690



one person



use a medium-strength



tighten with torque

OEM Original Equipment Manufacturer

Yoikk EXP

assembly instructions

yokkexp.com



**EXPLORE
POSSIBILITIES**

!!! Initially, attach the screws loosely.

After assembling everything together, tighten them with the appropriate force.

1. Unscrew the screws and remove the engine cover - OEM **[Fig. 2]**

2. Install the skid plate **[1]** together with the linkage guard **[3]** by inserting the bolts **[8]** from below, then secure them with the washers **[14]** and nuts **[11]**. **[Fig. 3], [Fig. 4]**

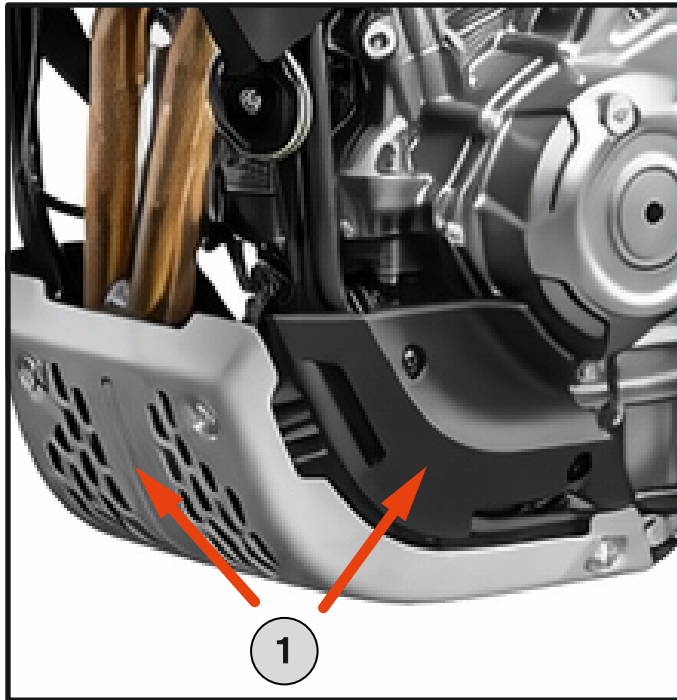
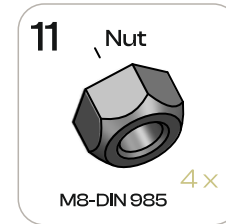
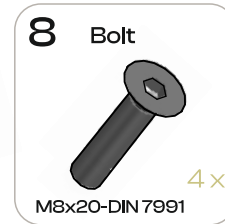
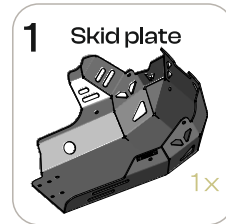


Fig. 2

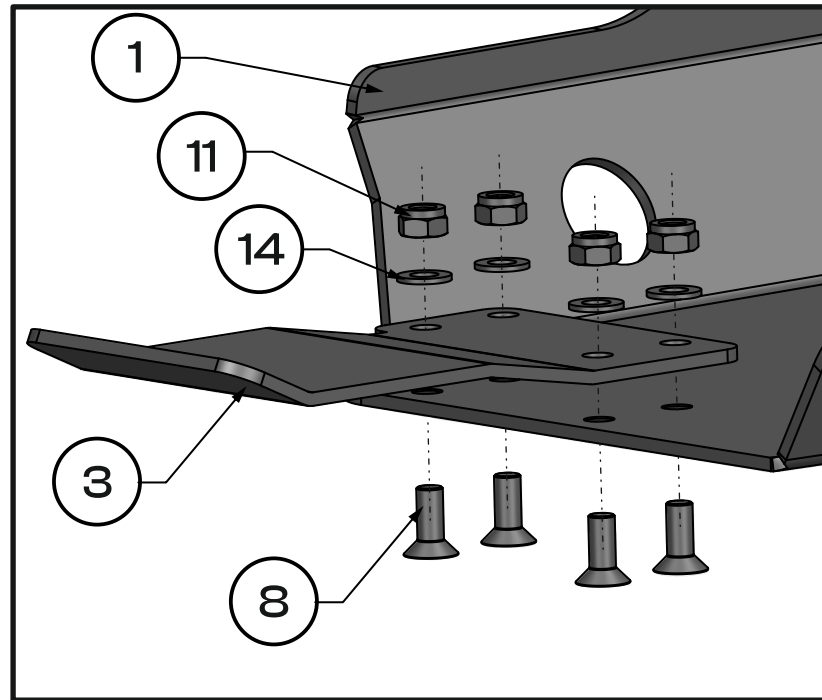


Fig. 3

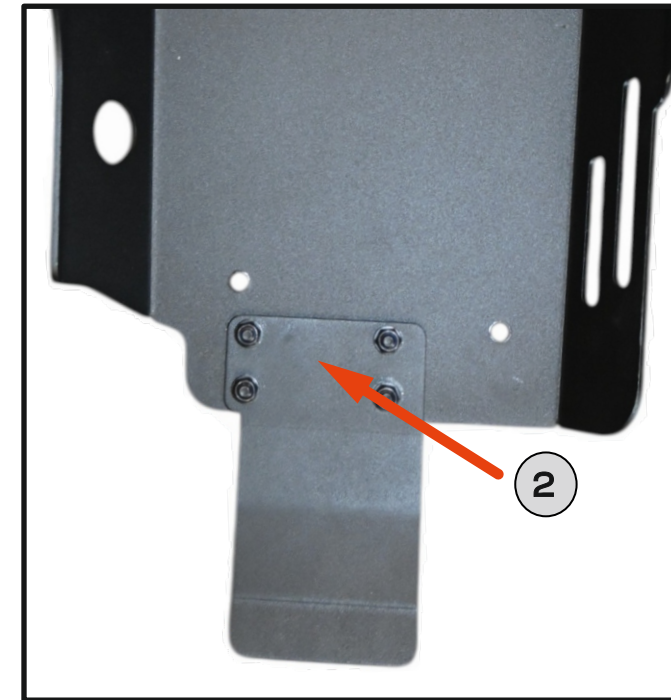


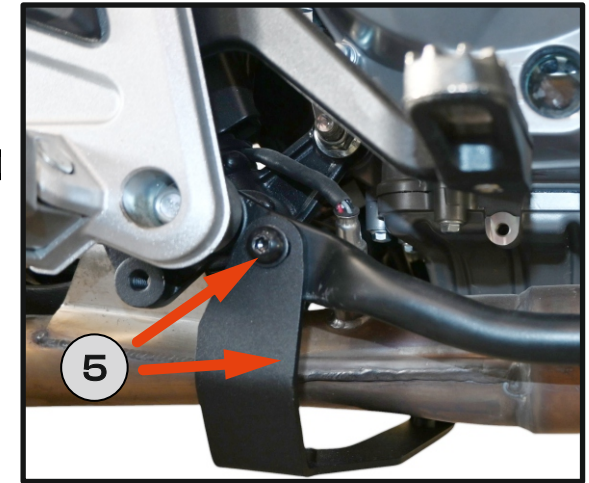
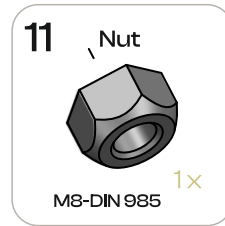
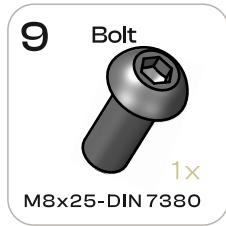
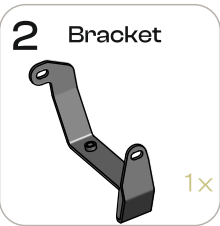
Fig. 4



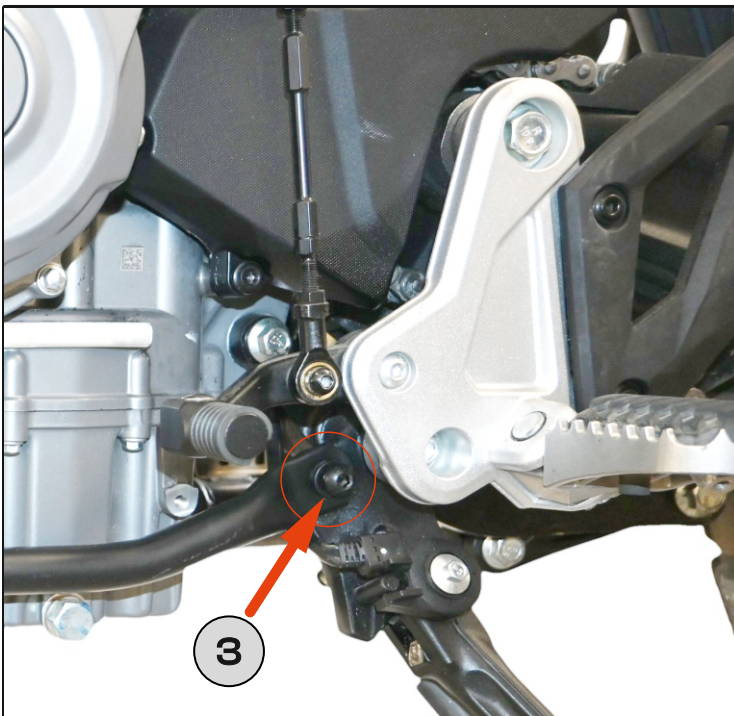
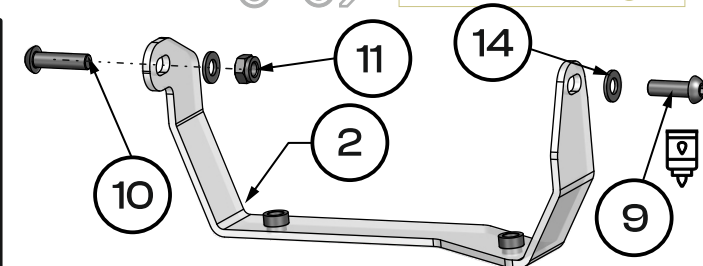
!!! Initially, attach the screws loosely.

After assembling everything together, tighten them with the appropriate force.

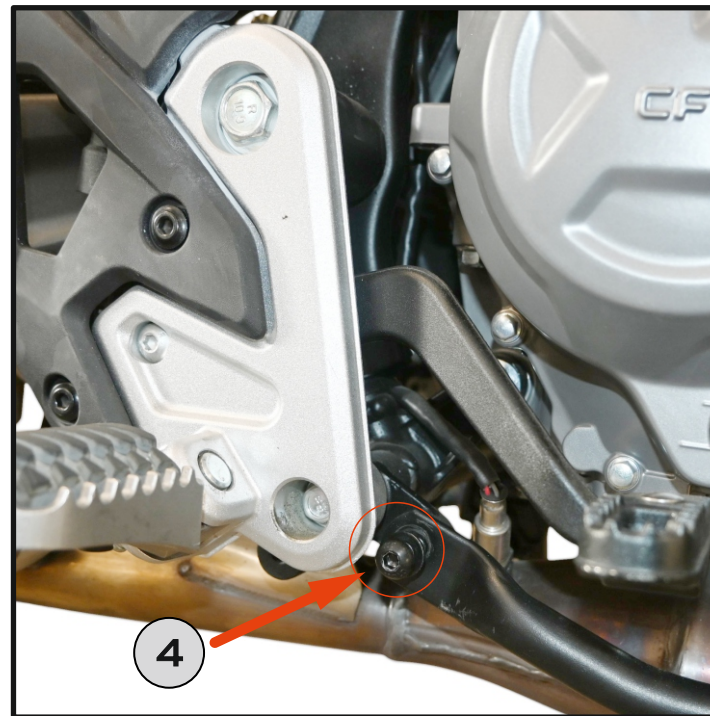
3. Unscrew and remove the screws **[Fig. 5]**
4. Unscrew and remove the screws **[Fig. 6]**
5. Fasten bracket using bolt **[9]** with washer **[14]**. Use a medium-strength adhesive. **[Fig. 7]**
6. Fasten the bracket **[2]** with bolt **[10]** from the opposite side, using washer **[14]** and nut **[11]** **[Fig. 8]**



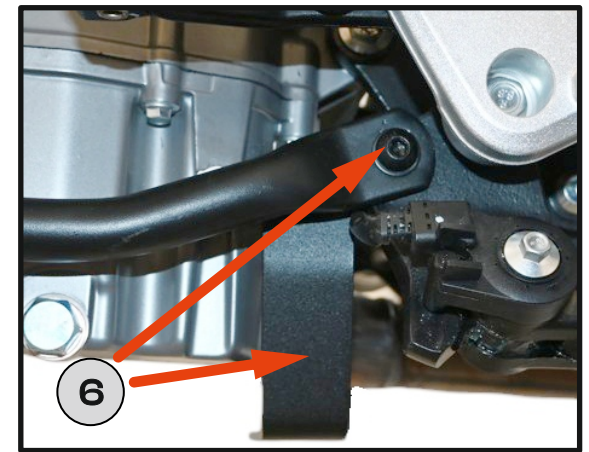
 **Fig. 7**



 **Fig. 5**



 **Fig. 6**



 **Fig. 8**



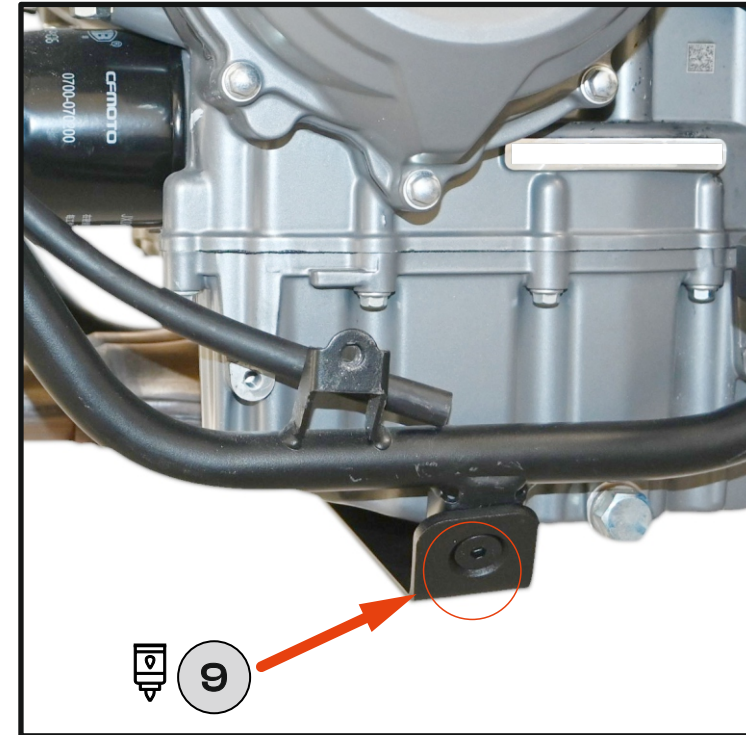
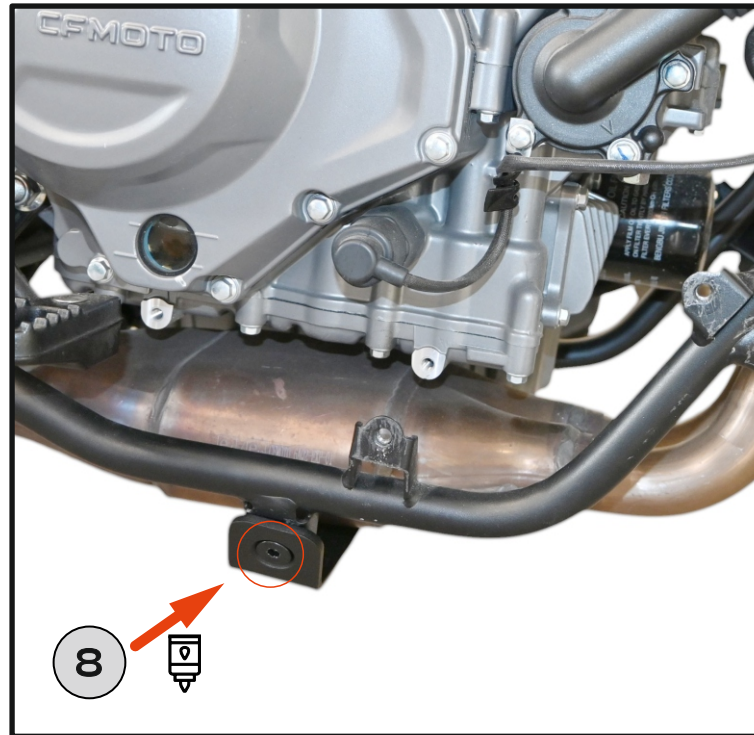
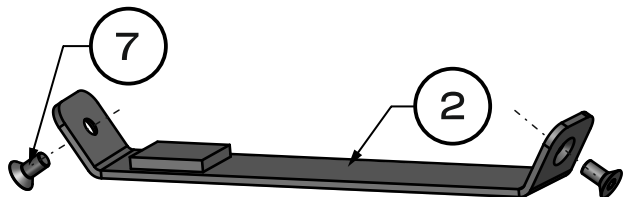
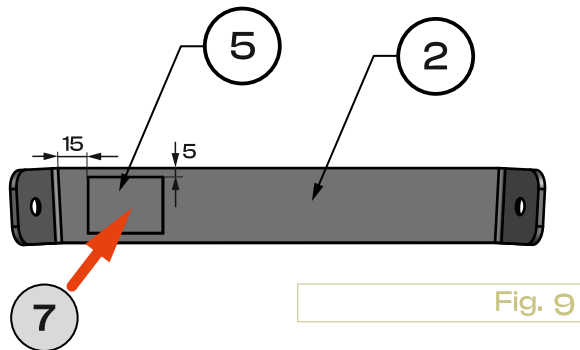
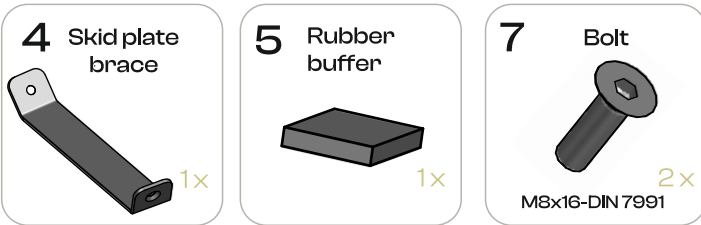
!!! Initially, attach the screws loosely.

After assembling everything together, tighten them with the appropriate force.

7. Glue the rubber buffer **[2]** to the skid plate brace **[5]** according to the dimensions on the drawing. **[Fig. 9]**

8. Fasten skid plate brace **[2]** using bolt **[7]** **[Fig. 11]** Use a medium-strength adhesive.

9. Fasten the skid plate brace **[2]** with bolt **[7]** from the opposite side **[Fig. 12]** Use a medium-strength adhesive.



!!! Initially, attach the screws loosely.

After assembling everything together, tighten them with the appropriate force.

10. Loosely fasten the skid plate [1] using bolt [6] with washer [12] at the selected mounting points. [Fig. 11] , [Fig. 12]

Use a medium-strength adhesive.

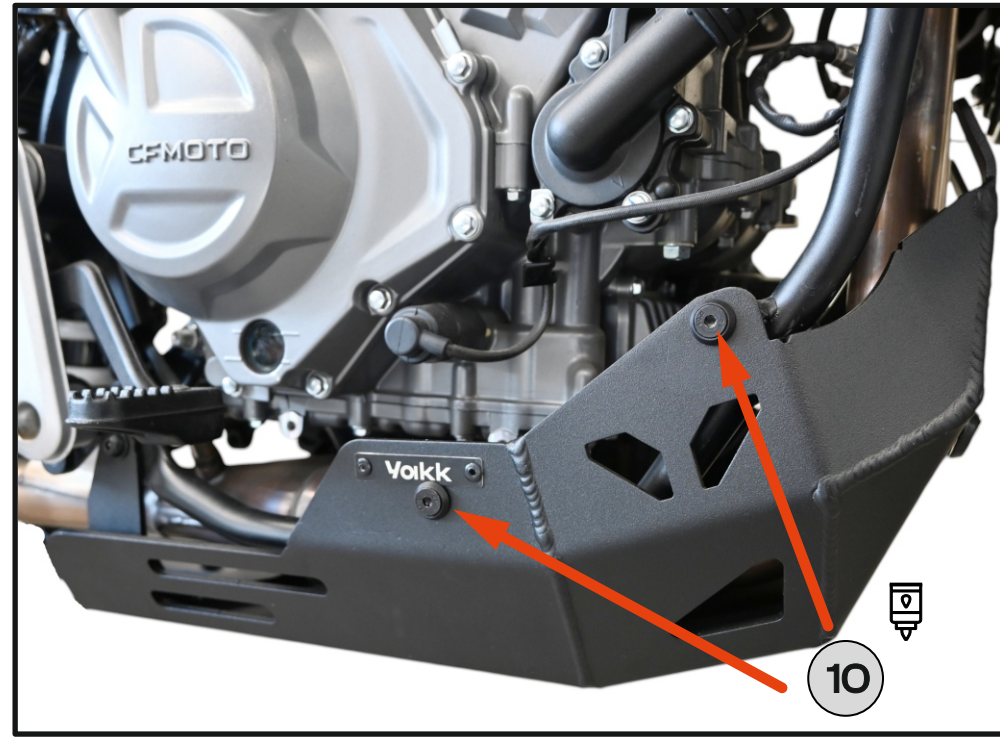
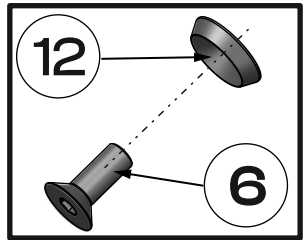
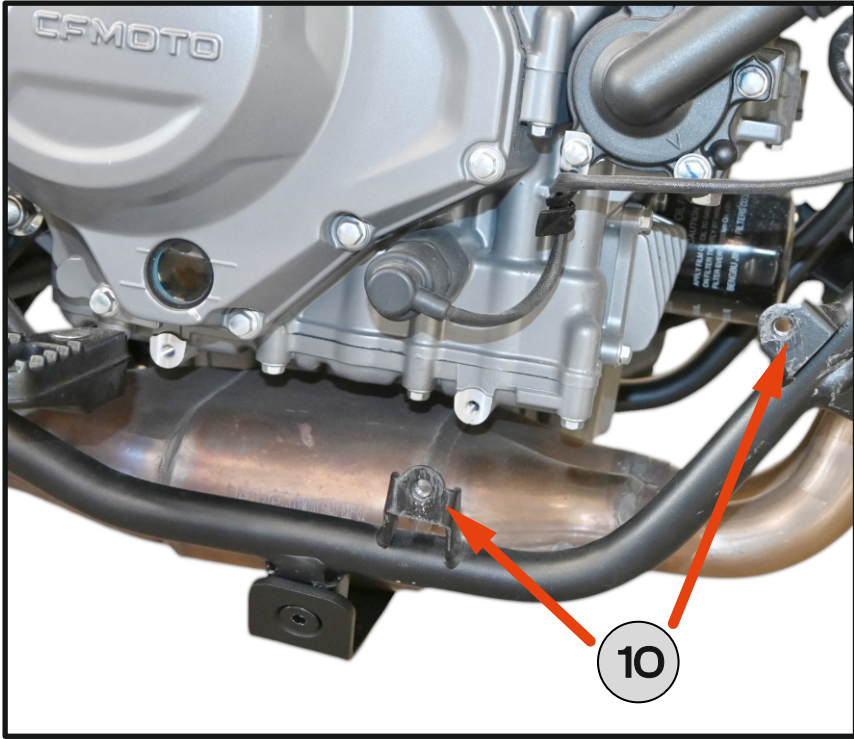


Fig. 11



Fig. 12



!!! Initially, attach the screws loosely.

After assembling everything together, tighten them with the appropriate force.

11. Loosely fasten the skid plate **[11]** using bolt **[6]** with washer **[12]** at the selected mounting points. **[Fig. 11]** , **[Fig. 12]**

Use a medium-strength adhesive.

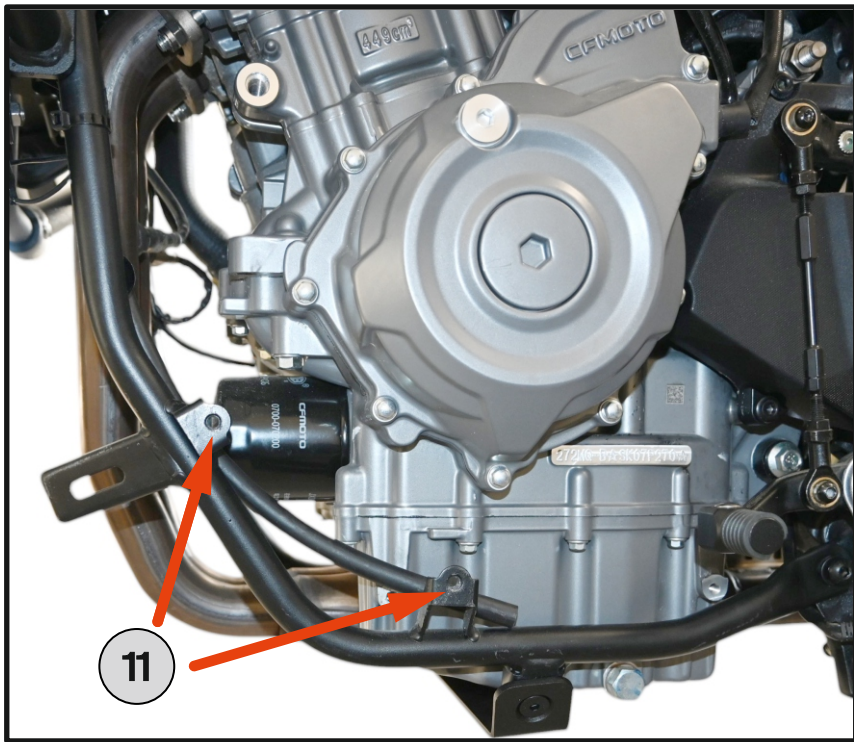
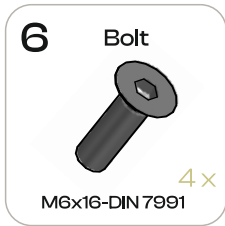


Fig. 11

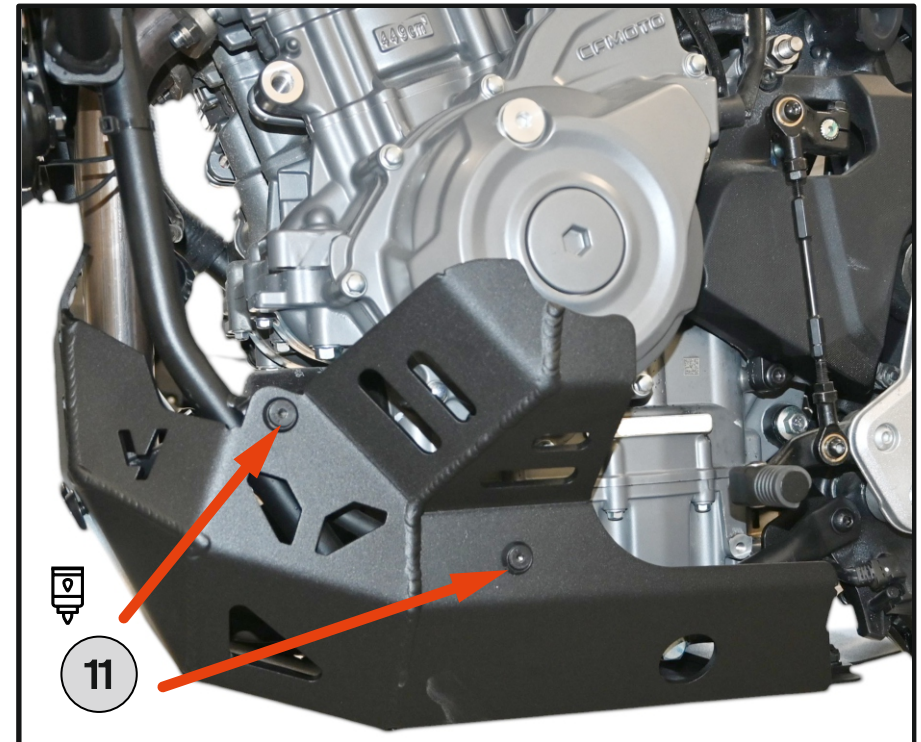
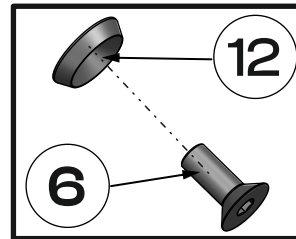


Fig. 12



!!! Initially, attach the screws loosely.

After assembling everything together, tighten them with the appropriate force.

follow  [yakkexp](#) join [#yakkherd](#)

12. Loosely fasten the skid plate **[1]** using bolt **[8]** with washer **[13]** at the selected mounting points. **[Fig. 13]** , **[Fig. 14]**

13. Loosely fasten the skid plate **[1]** using bolt **[7]** with washer **[13]** at the selected mounting points. **[Fig. 15]**

Use a medium-strength adhesive.

Tighten all screws with the appropriate clamping force.

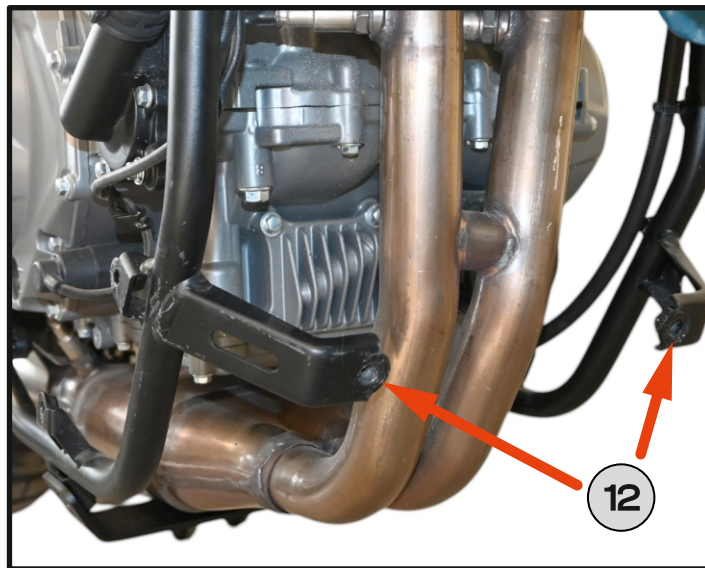
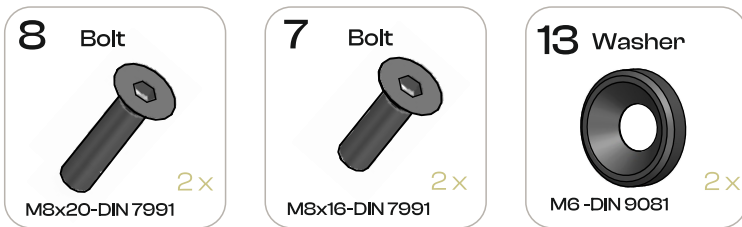


Fig. 13

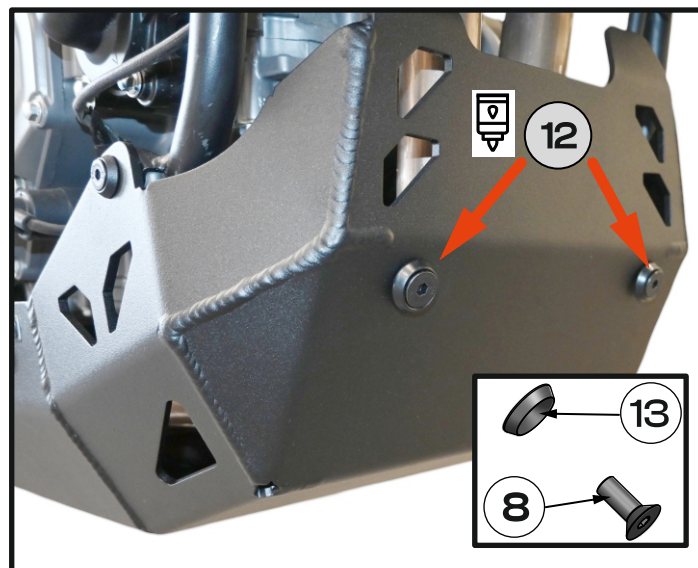


Fig. 14

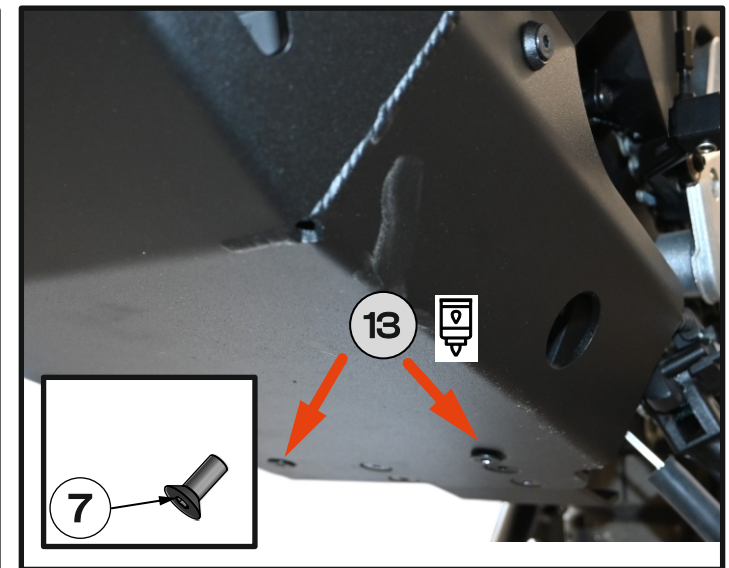


Fig. 15

