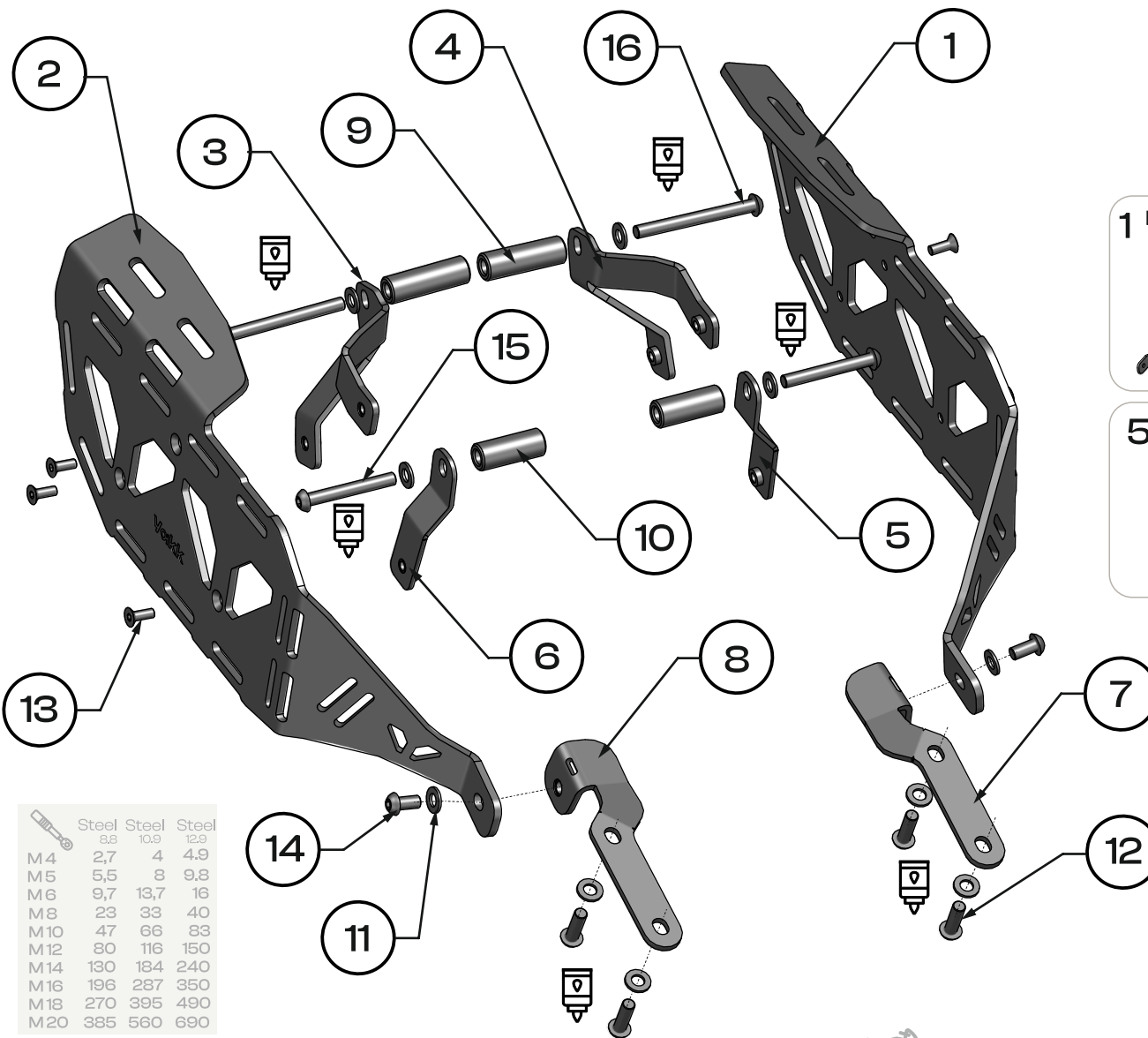


# CF Moto 450 MT 25

ID:3081645



	Steel 8.8	Steel 10.9	Steel 12.9
M4	2,7	4	4.9
M5	5,5	8	9.8
M6	9,7	13,7	16
M8	23	33	40
M10	47	66	83
M12	80	116	150
M14	130	184	240
M16	196	287	350
M18	270	395	490
M20	385	560	690







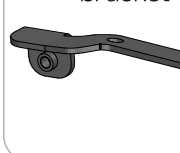








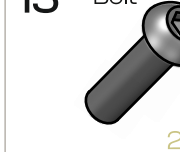
<b>1</b> Left luggage rack  1x	<b>2</b> Right luggage rack  1x	<b>3</b> Rear right bracket  1x	<b>4</b> Rear left bracket  1x
<b>5</b> Front left bracket  1x	<b>6</b> Front right bracket  1x	<b>7</b> Footpeg left bracket  1x	<b>8</b> Footpeg right bracket  1x
<b>9</b> Spacer sleeve  D17 x d9 x H53 2x	<b>10</b> Spacer sleeve  D17 x d9 x H43 2x	<b>11</b> Washer  M8-DIN 125 10x	
<b>12</b> Bolt  M8x25 -DIN 7380 4x	<b>13</b> Bolt  M6x16-DIN 7991 6	<b>14</b> Bolt  M8x16 -DIN 7380 2x	
<b>15</b> Bolt  M8x60 -DIN 7380 2x		<b>16</b> Bolt  M8x80-DIN 7380 2x	

Fig. 1

Read before installation.  
 All bolts have to be finally tighten after installation all parts on vehicle.

 one person 
  use a medium-strength 
  tighten with torque 
 OEM Original Equipment Manufacturer

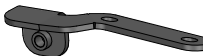





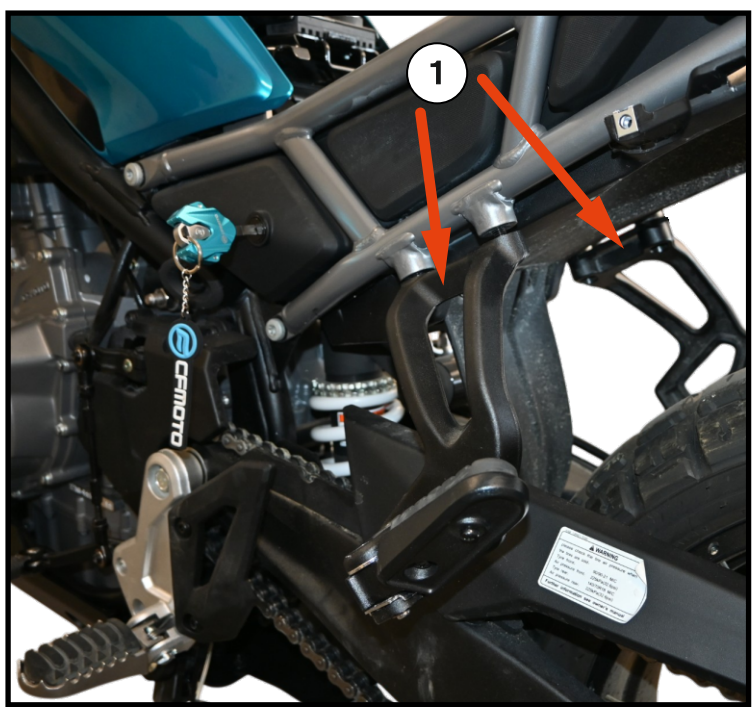
!!! Initially, attach the screws loosely.


After assembling everything together, tighten them with the appropriate force.

1. Unscrew the bolts and remove the passenger footrests on the right and left sides of the motorcycle.
2. Loosely install and fasten components [7] and [8] together with the passenger footrests using washers [11] and bolts [12].

Apply medium-strength threadlocker.

<p><b>7</b> Footpeg left bracket</p>  <p>1x</p>	<p><b>8</b> Footpeg right bracket</p>  <p>1x</p>	<p><b>12</b> Bolt</p>  <p>M8x25 -DIN 7380 4x</p>	<p><b>11</b> Washer</p>  <p>M8-DIN 125 10x</p>
---	---	---	---



 Fig.2

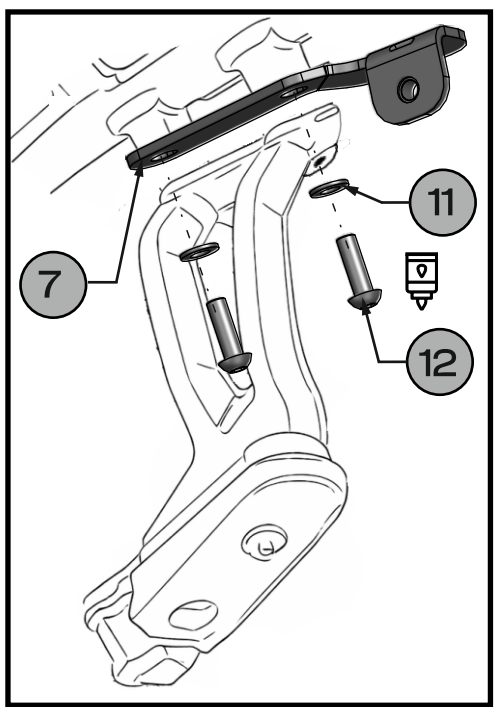


 Fig.3

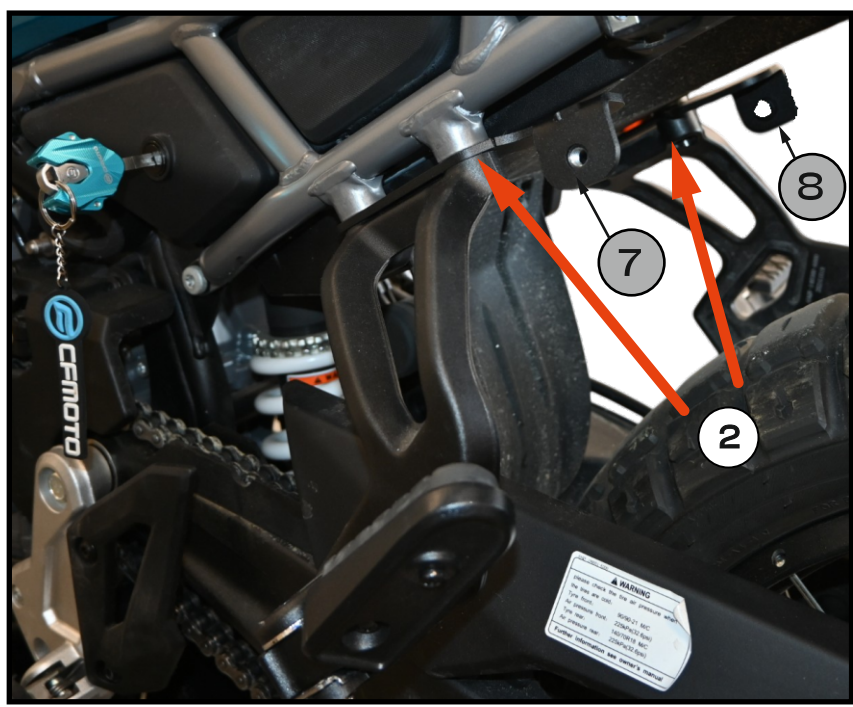


 Fig.4



**!!! Initially, attach the screws loosely.**

**After assembling everything together, tighten them with the appropriate force.**

3. Remove the seat, then unscrew and remove the side plastic panels. Repeat on the other side. **[Fig. 5]**

4. Use a  $\varnothing 17.5$  mm drill bit to drill the holes in the side covers. Deburr the edges of the drilled holes. **[Fig. 6].**

5. Install and tighten the drilled plastic covers, then install the seat. **[Fig. 7]**

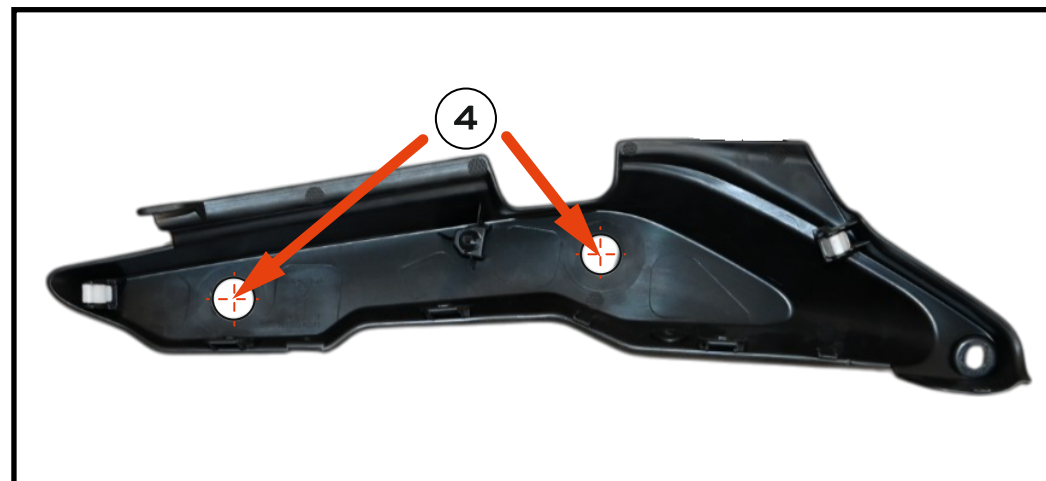


Fig. 6

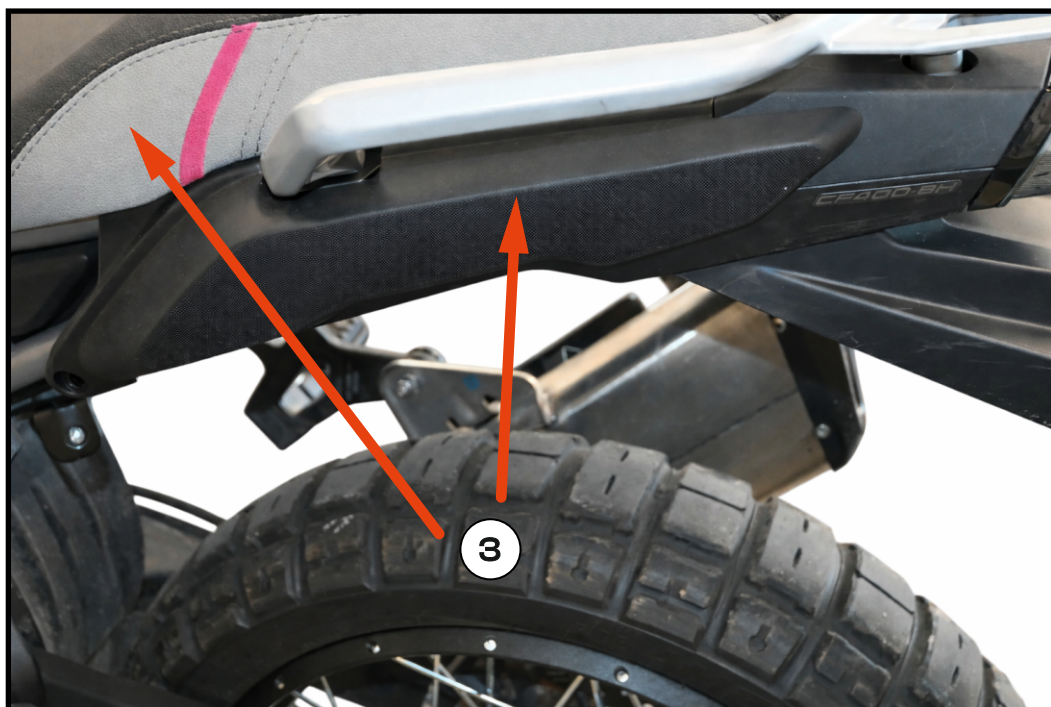


Fig. 5

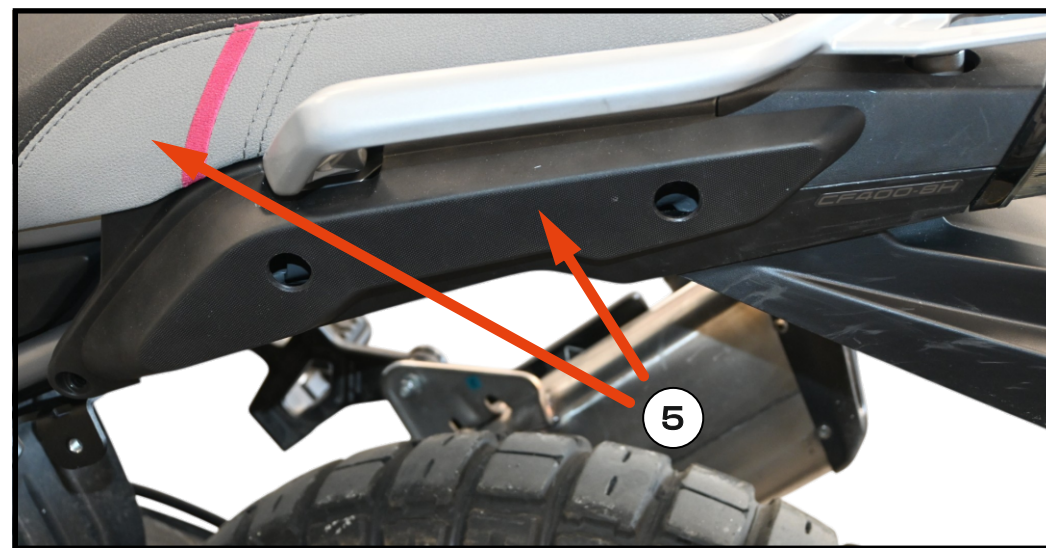


Fig. 7



**!!! Initially, attach the screws loosely.**

**After assembling everything together, tighten them with the appropriate force.**

6. Loosely install and fasten front left bracket **[5]** using washers **[11]**, bolts **[15]** and spacer sleeve **[10]**. **[Fig. 5], [Fig. 6]**

7. Loosely install and fasten front rear left bracket **[4]** using washers **[11]**, bolts **[15]** and spacer sleeve **[9]**. **[Fig. 5], [Fig. 6]**

Apply medium-strength threadlocker.

8. Repeat on the other side of the motorcycle.



Fig. 5

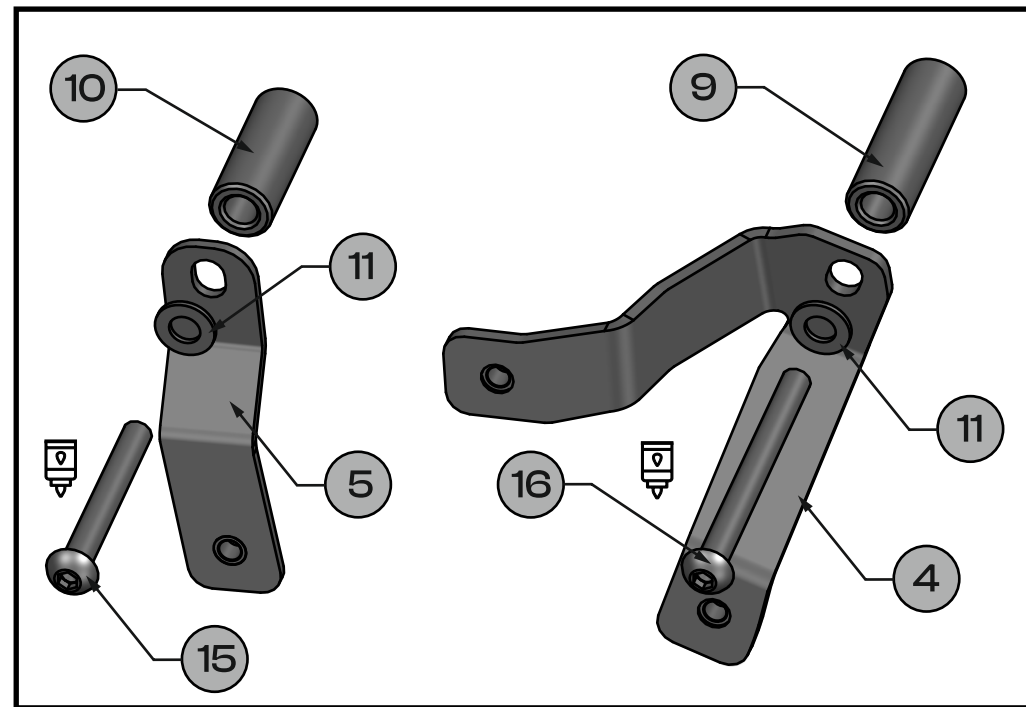


Fig. 6



**!!! Initially, attach the screws loosely.**

**After assembling everything together, tighten them with the appropriate force.**

8. Loosely install and fasten left luggage rack **[1]** at the front using washers **[11]**, bolts **[14]**. **[Fig. 7], [Fig. 8]**

9. Loosely install and fasten left luggage rack **[1]** at the rear using bolts **[13]**. **[Fig. 7], [Fig. 8]**

10. First tighten the bolts to the specified torque, then tighten the remaining bolts securing the soft luggage rack. **[Fig. 8]**

11. Repeat on the other side of the motorcycle.

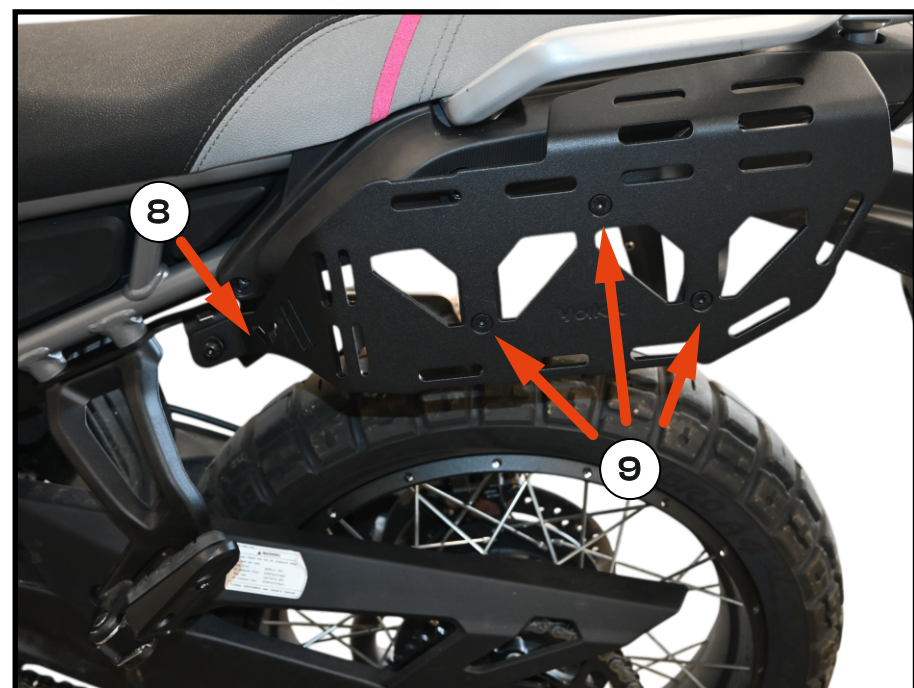


Fig. 7

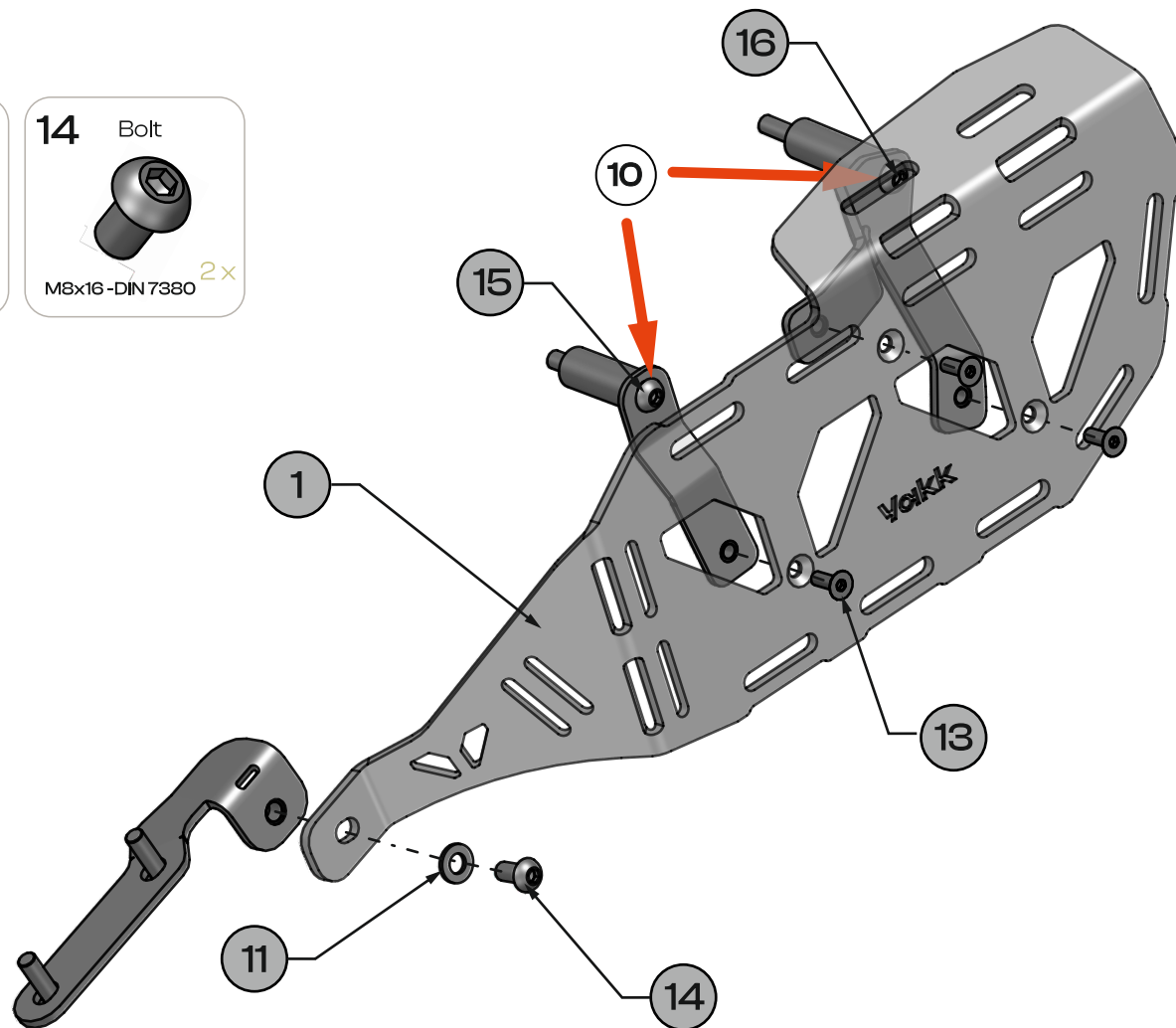


Fig. 8

