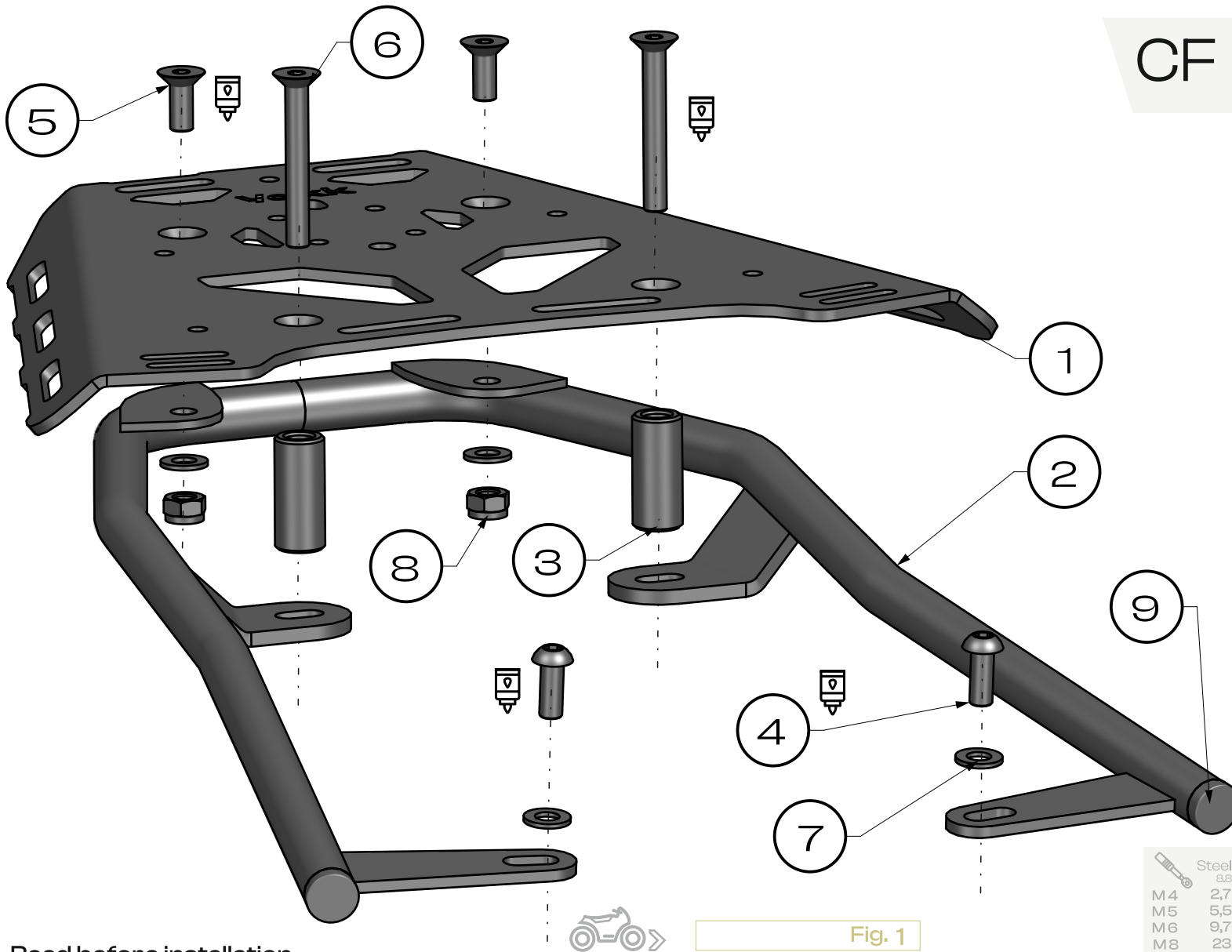


CF Moto 450 MT 25

ID:3117258



- 1** Rack plate 1 x
- 2** Luggage plate frame 1 x
- 3** Spacer sleeve 2 x
D17xd9xH39
- 4** Bolt 2 x
M8x20-DIN 7380
- 5** Bolt 2 x
M8x20-DIN 7991
- 6** Bolt 2 x
M8x60-DIN 7991
- 7** Washer 4 x
M8-DIN 125
- 8** Nut 2 x
M8-DIN 985
- 9** End cup 2 x

	Steel 8.8	Steel 10.9	Steel 12.9
M4	2,7	4	4,9
M5	5,5	8	9,8
M6	9,7	13,7	16
M8	23	33	40
M10	47	66	83
M12	80	116	150
M14	130	184	240
M16	196	287	350
M18	270	395	490
M20	385	560	690

Read before installation.

All bolts have to be finally tighten after installation all parts on vehicle.

one person
 use a medium-strength
 tighten with torque
 OEM Original Equipment Manufacturer



!!! Initially, attach the screws loosely.

After assembling everything together, tighten them with the appropriate force.

1. Unscrew the screws and remove the seat and OEM rack. **[Fig. 1]**
2. Install the Luggage plate frame **[2]**. **[Fig. 3]**
3. Attach the luggage plate frame using a bolt **[4]** with a washer **[7]** at the indicated mounting points. **[Fig. 3]**
Use medium-strength threadlocker.
4. Install the spacer sleeves **[3]**. **[Fig. 4]**

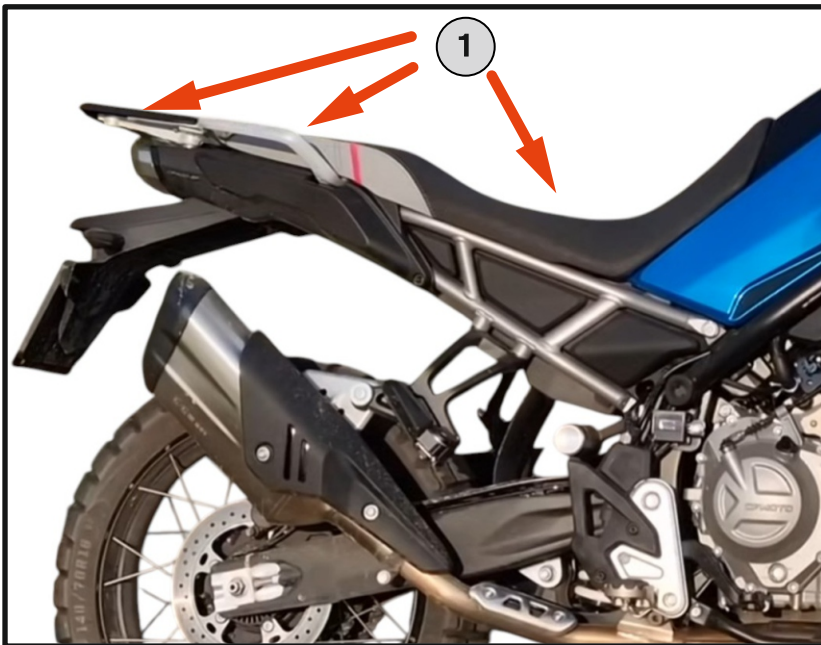
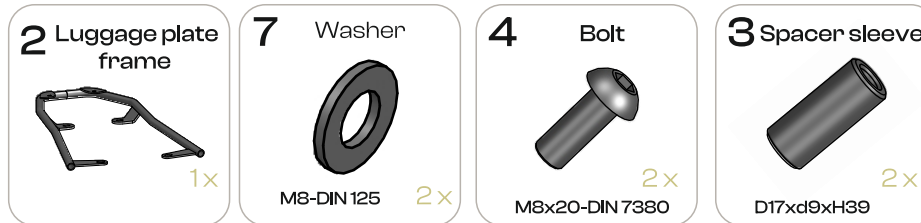


Fig. 2

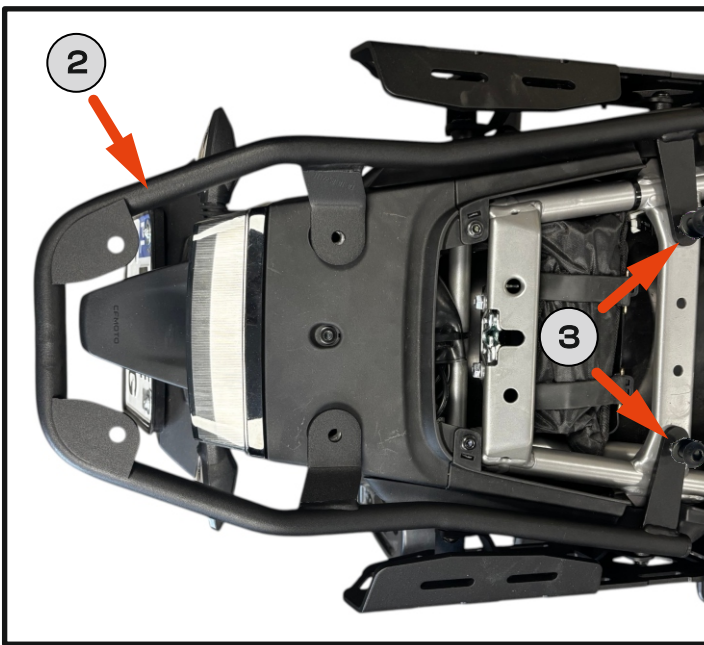


Fig. 3

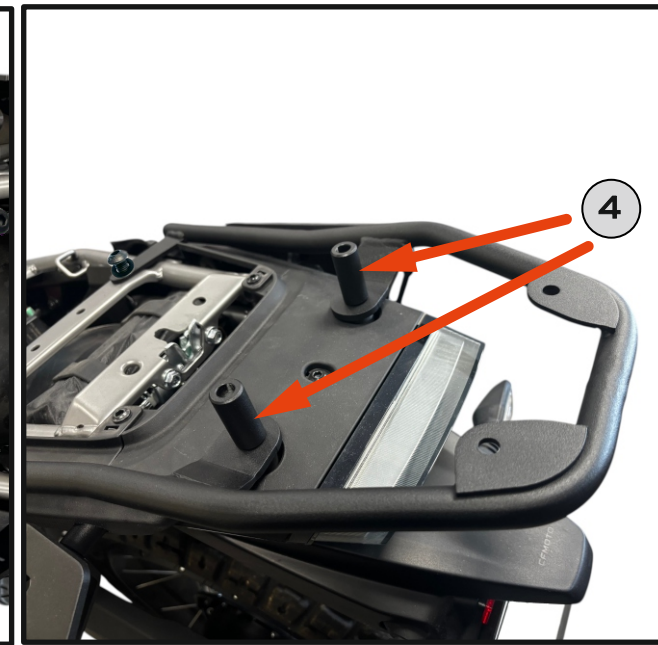


Fig. 4



!!! Initially, attach the screws loosely.

After assembling everything together, tighten them with the appropriate force.

follow  yakkexp join #yakkherd

5. Install the rack plate **[1]** and tighten the bolts through the spacer slave to the indicated mounting points. **[Fig. 4]**
Use medium-strength threadlocker.

6. Attach the rack plate with bolt **[5]** to the mounting point; from underneath, tighten it with a nut **[8]** through a washer **[7]**.

Align the rack plate with the motorcycle axis and tighten all bolts to the specified torque.

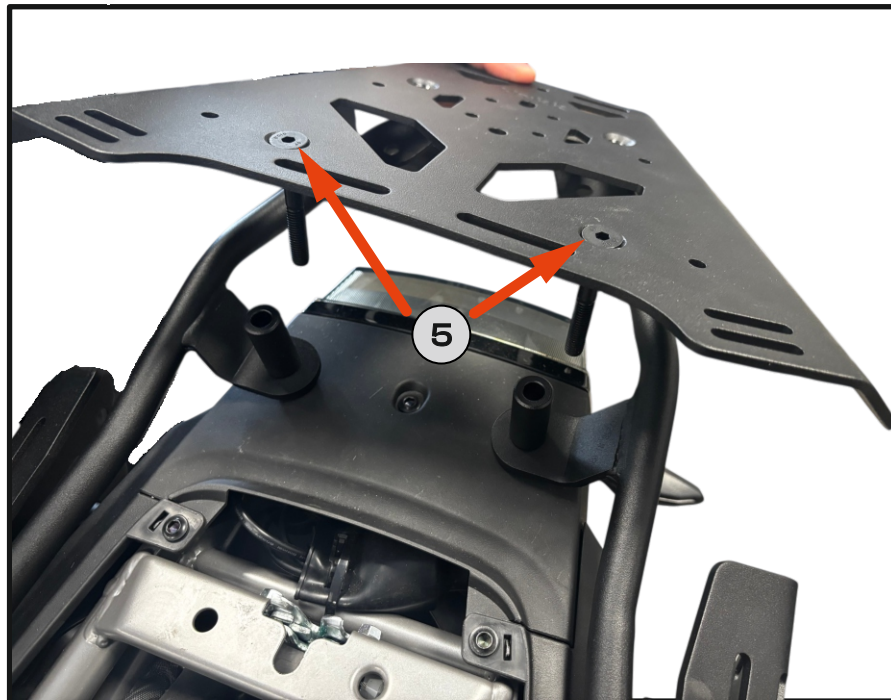
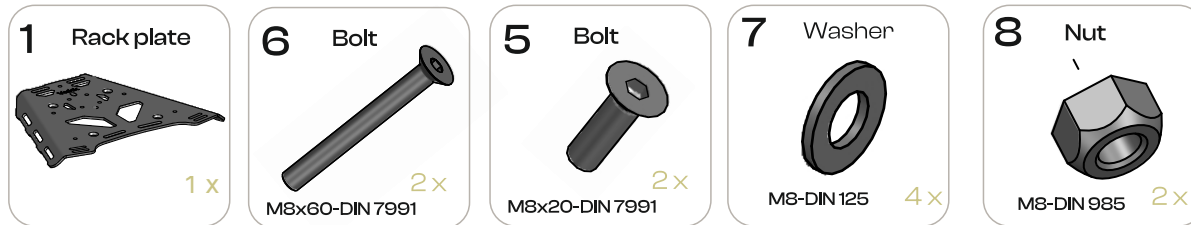


Fig. 4

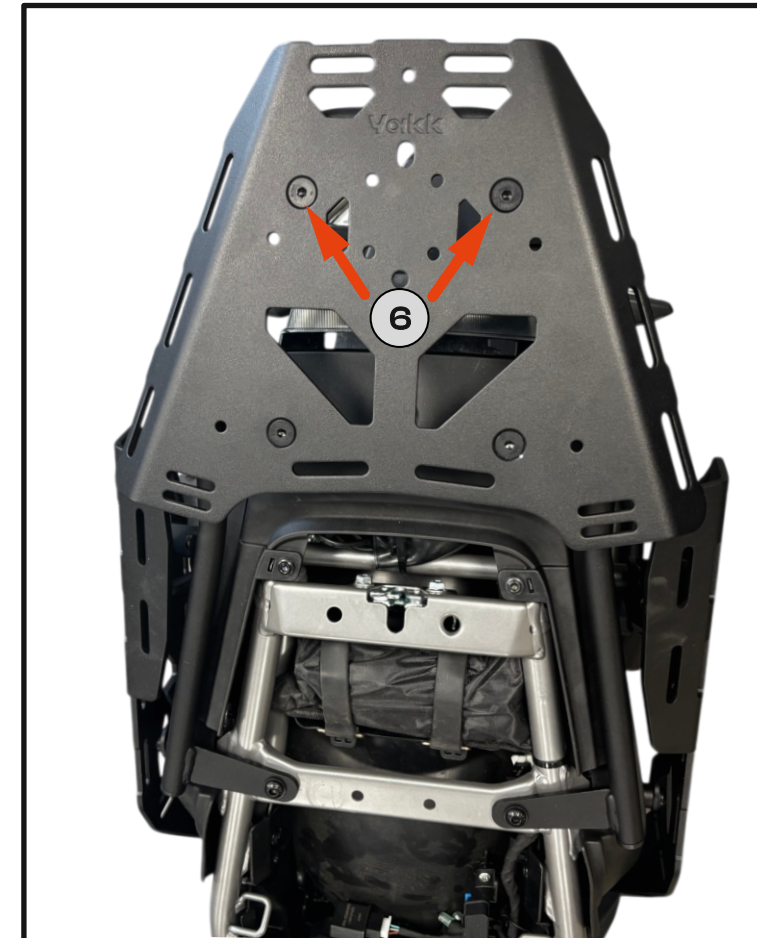


Fig. 5

